

HSF

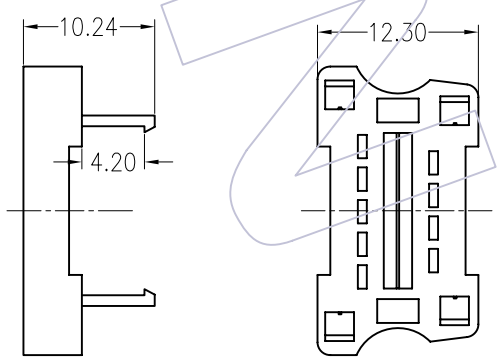
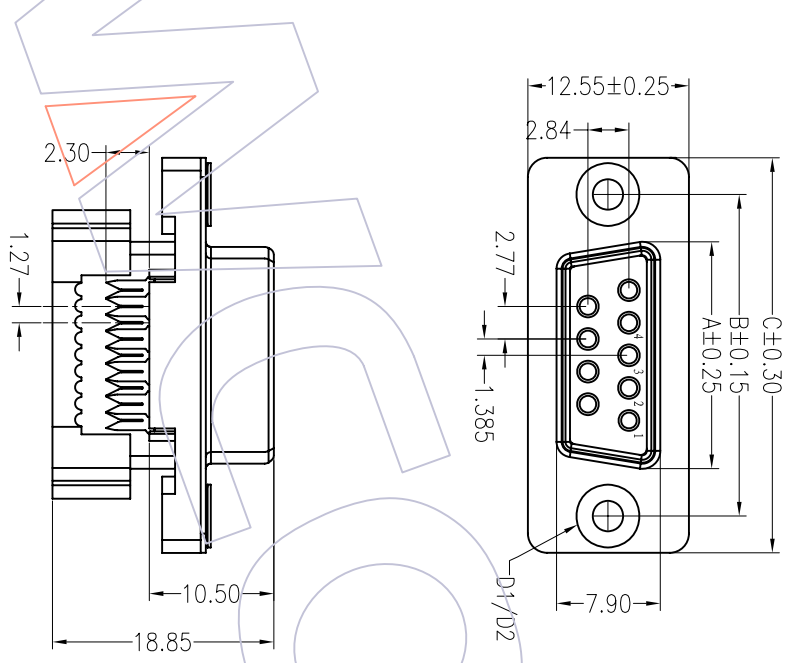
NOTES:

Rated Current:3.0AMP
 Contact Resistance:20mΩ max
 Withstand Voltage:500V AC/Minute
 Insulation Resistance:1000MΩ min
 Operation Temperature:-55℃ to +105℃
 Contact Material:Phosphor Bronze/Brass
 Contact plating:Au or Tin over Ni
 Insulator Material:PBT+30%G.F UL94V-0
 Sheel: Cold Roller Steel, Ni Plated
 Nut: Brass, Tin over Ni Plated

Ordering Information

6224-XX F N XX X 0X

- No. of Pins 09,15,25,37P
- Contact Plating G0=Gold Flash
- Insulator Color B:Black
- Screw I=Without Screw
- G1=30u"Gold W:White 2=With Screw
- G2=5u"Gold U:Blue
- G3=10u"Gold G:Grey
- G4=15u"Gold
- G5=30u"Gold
- S0=Gold Flash/Tin
- S1=3u"Gold/Tin
- S2=5u"Gold/Tin
- S3=10u"Gold/Tin
- S4=15u"Gold/Tin
- S5=30u"Gold/Tin
- SN=Tim



D1	6224-XXFNXXX01
D2	6224-XXFNXXX02

No. of Positions	DIM "A"	DIM "B"	DIM "C"	DIM "D1"	DIM "D2"
9	16.33	24.99	30.81		
15	24.66	33.32	39.14	Without Screw	
25	38.38	47.04	53.04	Without Screw	Without Screw
37	54.84	63.50	69.32	Without Screw	With Screw #4-40

WCON 维峰五金电子有限公司
 WAFER HARDWARE ELECTRONICS CO.,LTD

OPERATION	±0.30	DRAW	Milliam Plew	09.03.07	SCALE	1:1	PART NO.	SEE TABLE
DESIGN	±0.25	CHECK			UNIT	mm	TITLE:	D-SUB FEMALE DUAL ROW IDC TYPE
ANGLE	± 3'	APPROVE			SIZE	A4	SHEET	1/1
DIM		PROJ.			SHEET	1/1	CUSTOMER NO.	

REV	DATE	MODIFICATION DESCRIPTION	CHANGE	APPROVE
A0	09/03/07	NEW		