

HSF

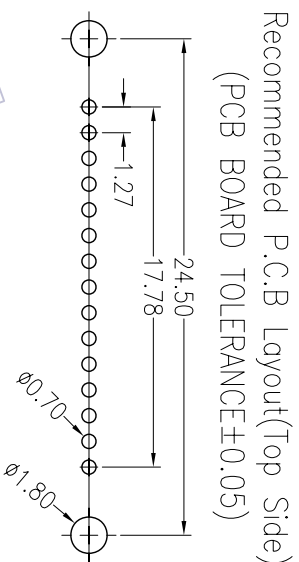
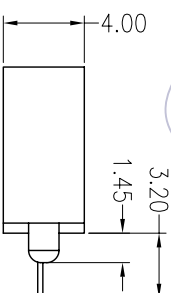
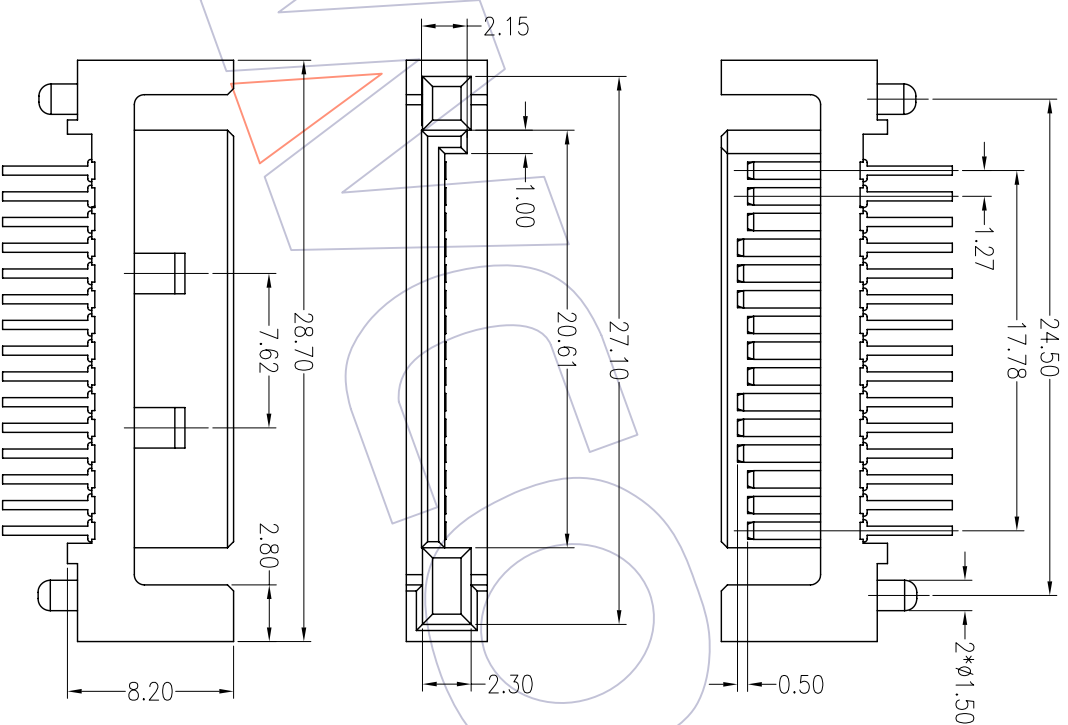
NOTES:

Rated Current:1.5AMP
 Contact Resistance:30mΩ max
 Withstand Voltage:500V AC/DC
 Insulation Resistance:1000MΩ min
 Operation Temperature:-55℃ to +125℃
 Contact Material:Brass
 Contact Plating:Au or Sn Over Ni
 Insulator Material:PA6T+30%G.F UL94V-0

Ordering Information

5411-15 D 1 XX C 0 1

Contact Plating
 G0=Gold Flash
 G1=3u"Gold
 G2=5u"Gold
 G3=10u"Gold
 G4=15u"Gold
 G5=30u"Gold
 S0=Gold Flash/Tin
 S1=3u"Gold/Tin
 S2=5u"Gold/Tin
 S3=10u"Gold/Tin
 S4=15u"Gold/Tin
 S5=30u"Gold/Tin
 SN=Tin



Recommended P.C.B Layout(Top Side)
 (PCB BOARD TOLERANCE±0.05)

OPERATION		DRAW		SCALE		 WAVE HARDWARE ELECTRONICS CO.,LTD 维峰五金电子有限公司 5411-15D1XXC01	
X.X	±0.40	DESIGN		UNIT	1:1		
X.XX	±0.25	CHECK		SIZE	A4	PART NO.	
X.XXX	±0.15	APPROVE		SHEET	1/1	TITLE:	
Angle	± 3'	DIM		PROU.	☐	Customer NO.	
TOL		APPROVE		PROU.		SATA 15P MALE CONNECTOR 180° DIP	
REV	DATE	MODIFICATION DESCRIPTION		CHANGE		APPROVE	
A0	09/03/12	NEW					