

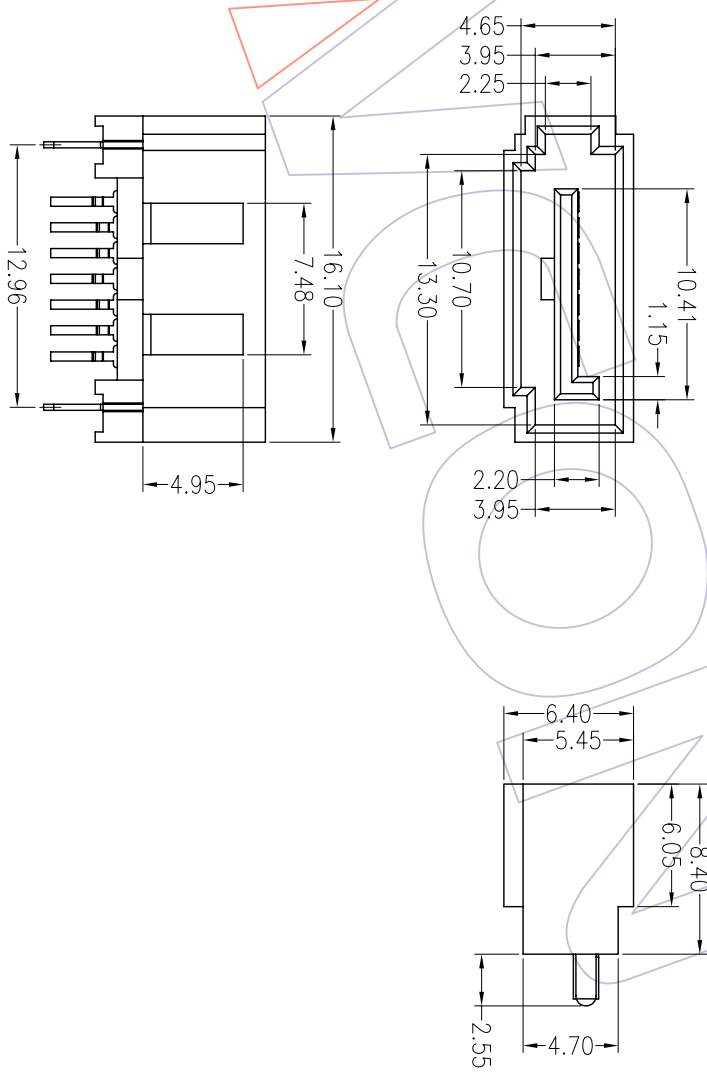
HSF

NOTES:

Rated Current:1.5AMP
 Contact Resistance:30mΩ max
 Withstand Voltage:500V AC/DC
 Insulation Resistance:1000MΩ min
 Operation Temperature:-55℃ to +125℃

Contact Material:Brass
 Contact Plating:Au or Sn Over Ni
 Insulator Material:PA6T+30%G.F UL94V-0

Recommended P.C.B Layout(Top Side)
 (PCB BOARD TOLERANCE±0.05)



Ordering Information

5412-07 D1 XX C 0 1

- Contact Plating
- G0=Gold Flash
- G1=3u"Gold
- G2=5u"Gold
- G3=10u"Gold
- G4=15u"Gold
- G5=30u"Gold
- S0=Gold Flash/Tin
- S1=3u"Gold/Tin
- S2=5u"Gold/Tin
- S3=10u"Gold/Tin
- S4=15u"Gold/Tin
- S5=30u"Gold/Tin
- SN=Tin

OPERATION		DRAW		SCALE		 维峰五金电子有限公司 WAFER HARDWARE ELECTRONICS CO.,LTD 5412-07D1XXC01	
X.X		Millimeter Class		1:1			
±0.40		DESIGN		mm			
X.XX		DRAW		UNIT		PART NO.	
±0.25		CHECK		SIZE		A4	
X.XXX		APPROVE		SHEET		1/1	
Angle		DIM		TOL		PROU.	
± 3'		APPROVE		TITLE:		Customer NO.	
MODIFICATION DESCRIPTION		CHANGE		APPROVE		SATA 7P MALE CONNECTOR 180° DIP	
NEW							
DATE							
09/03/12							
REV							
A0							