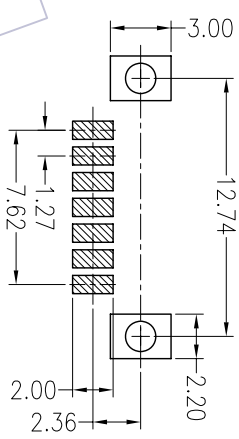
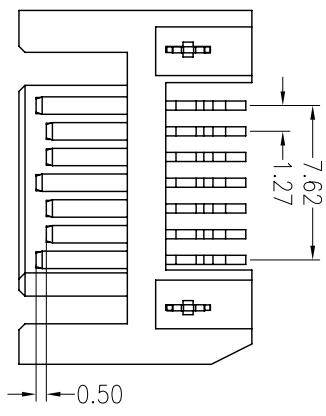


# HSF

**NOTES:**

- Rated Current:1.5AMP
- Contact Resistance:30mΩ max
- Withstand Voltage:500V AC/DC
- Insulation Resistance:1000MΩ min
- Operation Temperature:-55℃ to +125℃
- Contact Material:Brass
- Contact Plating:Au or Sn Over Ni
- Insulator Material:PA6T+30%G.F UL94V-0

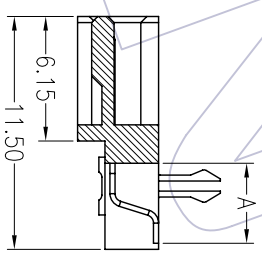
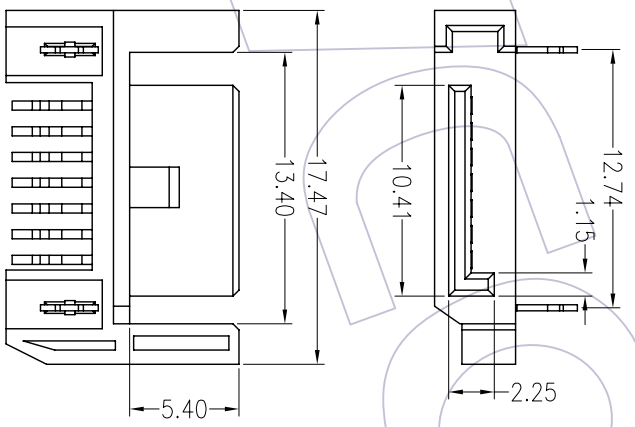
Recommended P.C.B Layout(Top Side)  
(PCB BOARD TOLERANCE±0.05)



## Ordering Information

5411-07 M2 XX C 0 X

- Contact Plating
- G0=Gold Flash
- G1=3u"Gold
- G2=5u"Gold
- G3=10u"Gold
- G4=15u"Gold
- G5=30u"Gold
- S0=Gold Flash/Tin
- S1=3u"Gold/Tin
- S2=5u"Gold/Tin
- S3=10u"Gold/Tin
- S4=15u"Gold/Tin
- S5=30u"Gold/Tin
- SN=Tin



| PART NO.       | A    |
|----------------|------|
| 5411-07M2XXC01 | 3.10 |
| 5411-07M2XXC02 | 4.35 |

| OPERATION | DRAW                | SCALE | PART NO.     |
|-----------|---------------------|-------|--------------|
| X.X       | <i>William Chen</i> | 1:1   |              |
| X.XX      | DESIGN              | mm    |              |
| X.XXX     | CHECK               | A4    |              |
| Angle     | APPROVE             | 1/1   | TITLE:       |
| DIM       |                     | PROJ. | Customer NO. |

| REV | DATE     | MODIFICATION DESCRIPTION | CHANGE | APPROVE |
|-----|----------|--------------------------|--------|---------|
| A0  | 09/03/12 | NEW                      |        |         |

**WCON** 维峰五金电子有限公司  
WAFE HARDWARE ELECTRONICS CO.,LTD

SEE TABLE

SATA 7P MALE CONNECTOR 90° SMT IP CONTACT