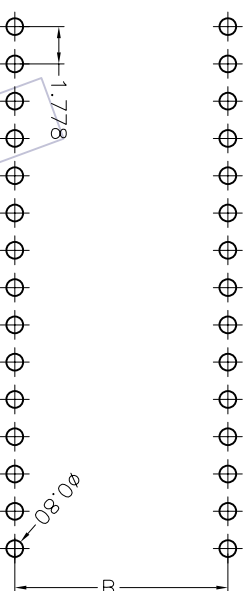
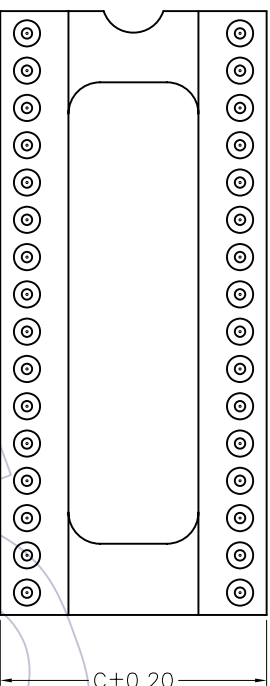


HSPF

TECHNICAL SPECS:

Current Rating:1.0AMP
 Contact Resistance:10mΩ Max
 Dielectric Strength: Min 1000V/RMS
 Mechanical Life: Min 100 cycles
 Connecting Pin:φ0.50mm
 Operation Temperature: -40°C to +105°C

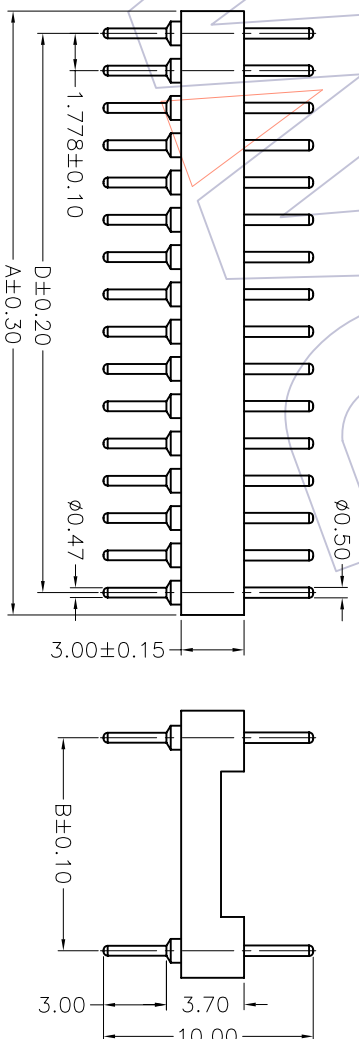
Sleeve:Brass CuZn36Pb3(C36000)
 Contact plating:Au or Sn over Ni
 Insulator Material:PPS+30%G.F(UL94V-0)



Ordering Information

3561-30X XX S XX 100 X 1

Row of Pitch No. of Pin Contact Plating Packing
 1=7.62mm G0=Gold Flash T=Tube
 2=15.24mm G1=3u"Gold A=Tray
 3=10.16mm G2=5u"Gold
 4=19.05mm G3=10u"Gold
 G4=15u"Gold
 G5=30u"Gold
 S0=Gold Flash/Tin
 S1=3u"Gold/Tin
 S2=5u"Gold/Tin
 S3=10u"Gold/Tin
 S4=15u"Gold/Tin
 S5=30u"Gold/Tin
 SN=Tin



Dimensional & Ordering Information

NO. of Poles	Part No.	Dimension			
		A	B	C	D
24	3561-30324SX100X1	21.80	10.16	12.70	19.558
28	3561-30328SX100X1	25.20	10.16	12.70	23.114
30	3561-30330SX100X1	27.00	10.16	12.70	24.892
32	3561-30332SX100X1	28.80	10.16	12.70	26.670
48	3561-30348SX100X1	43.10	10.16	12.70	40.894
20	3561-30220SX100X1	18.10	15.24	17.64	16.002
24	3561-30224SX100X1	21.70	15.24	17.64	19.558
28	3561-30228SX100X1	25.20	15.24	17.64	23.114
40	3561-30240SX100X1	35.80	15.24	17.64	33.782
42	3561-30242SX100X1	37.70	15.24	17.64	35.560
48	3561-30248SX100X1	43.10	15.24	17.64	40.894
52	3561-30252SX100X1	46.70	15.24	17.64	44.450
56	3561-30256SX100X1	50.20	15.24	17.64	48.006
64	3561-30264SX100X1	57.30	15.24	17.64	55.118
68	3561-30268SX100X1	60.90	15.24	17.64	58.674
64	3561-30464SX100X1	57.30	19.05	21.45	55.118

WCON 维峰五金电子有限公司
 WAVE HARDWARE ELECTRONICS CO. LTD

SEE TAB
 1.778mm MACHINED ADAPTER CONNECTOR
 180° H=3.0 L=10.0

REV	DATE	MODIFICATION DESCRIPTION	CHANGE	APPROVE	OPERATION	DRAW	WEIXD	SCALE	PART NO.
A0	08/10/22	NEW			OPERATION X.X ±0.30 X.XX ±0.25 X.XXX ±0.15	DESIGN CHECK	08/10/22	1:1 mm	
REV	DATE	MODIFICATION DESCRIPTION	CHANGE	APPROVE	ANGLE DIM ± 3'	CHECK APPROVE		UNIT SIZE A4	TITLE: Customer NO.