

HSF

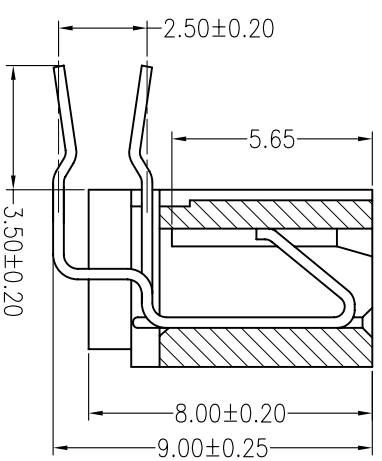
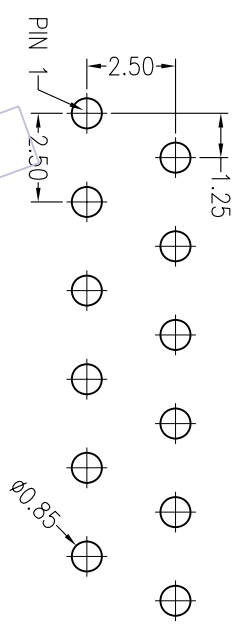
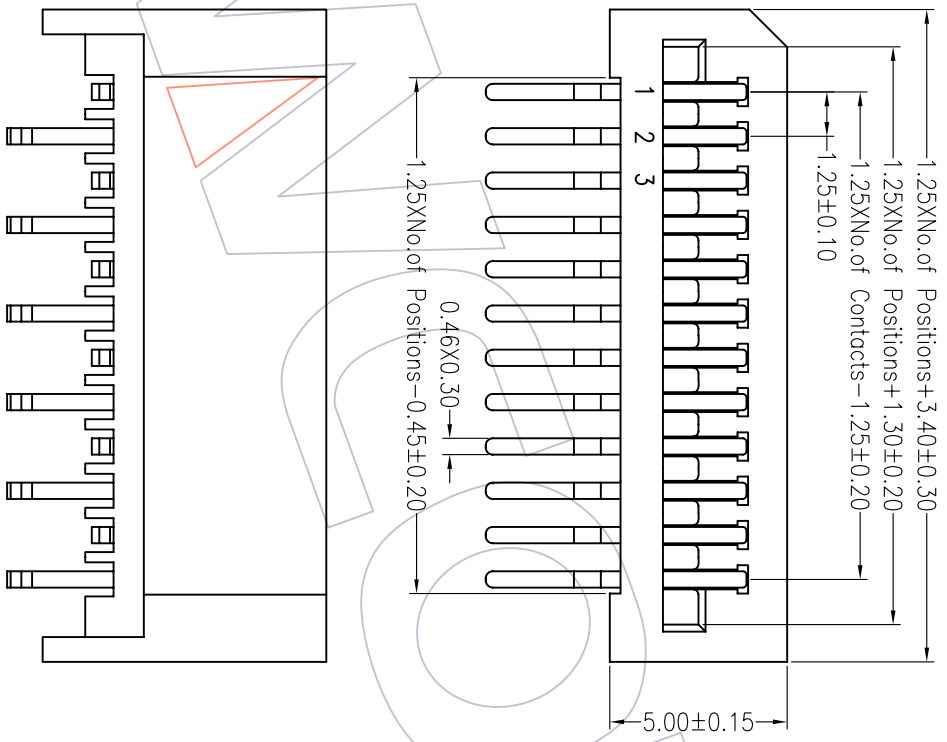
NOTES:

- Rated Current: 0.5AMP
- Contact Resistance: 30mΩ max
- Withstand Voltage: 500V AC/DC
- Insulation Resistance: 1000MΩ min
- Operation Temperature: -55℃ to +85℃
- Contact Material: Phosphor Bronze
- Contact Plating: Sn Over Ni
- Insulator Material: Thermoplastic UL94V-0

Ordering Information

5120-XX R D U N X 01

- No. of Pins
02~36P
- Color
A=Brown
B=Black
W=White
E=Beige



Recommended P.C.B Layout (Top Side)
(PCB BOARD TOLERANCE ± 0.05)

OPERATION		DRAW		SCALE		PART NO.	
X.X	±0.40	Millennium Class		1:1	A4		5120-XXRDUNX01
X.XX	±0.25	DESIGN		mm	SHEET		1.25 FPC 90° DIP UP CONTACT W/O LOCK
X.XXX	±0.15	CHECK		UNIT	SIZE		
Angle	± 3'	APPROVE		PROJ.	TITLE:		
DIM	TOL	CHANGE		APPROVE		Customer NO.	
REV	DATE	MODIFICATION DESCRIPTION		APPROVE			
A0	09/02/18	NEW					

WCON 维峰五金电子有限公司
WAVE HARDWARE ELECTRONICS CO. LTD