

# HSF

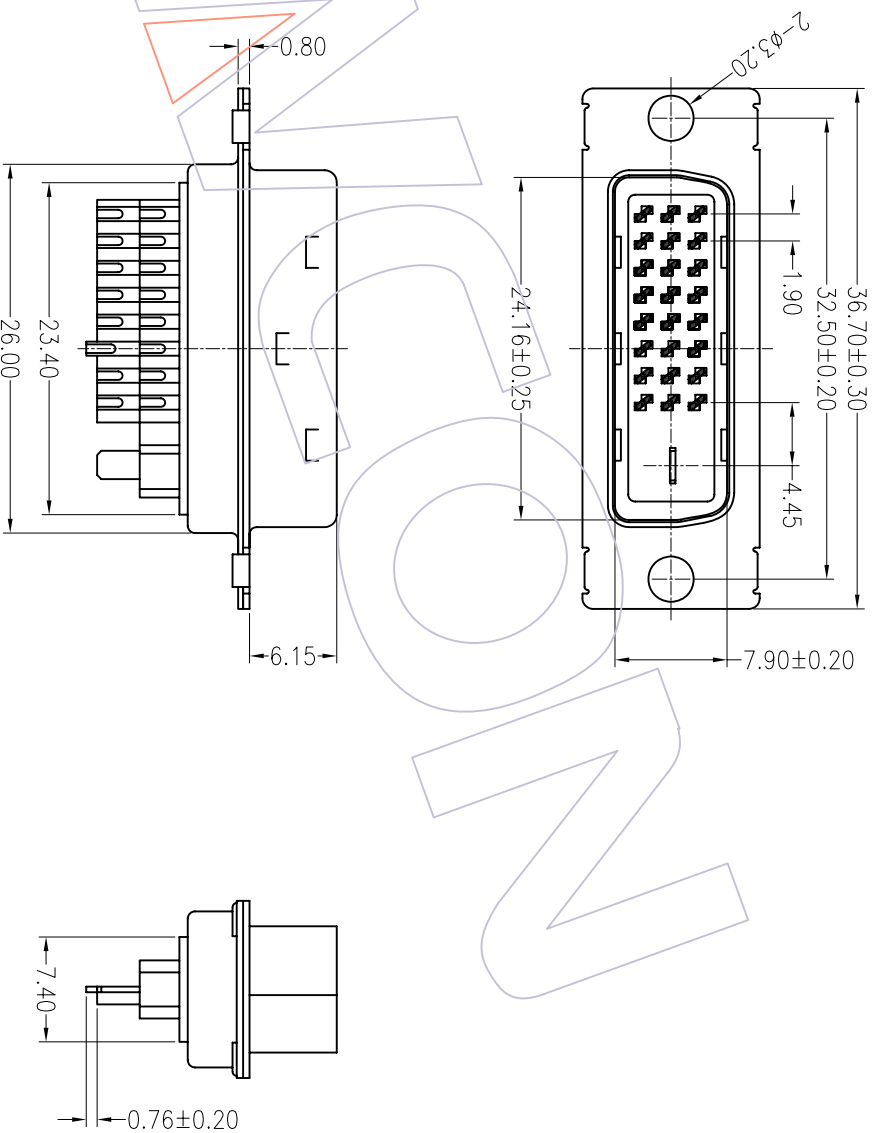
**NOTES:**

- Rated Current:3.0AMP
- Contact Resistance:30mΩ max
- Withstand Voltage:500V AC/DC
- Insulation Resistance:1000MΩ min
- Operation Temperature:-40℃ to +85℃
- Contact Material:Brass
- Contact Plating:Au or Sn Over Ni
- Shell Material: Zinc Alloy&Steel
- Shell plating: Ni or Sn over Fe
- Insulator Material:Polyester(UL94V-0)

## Ordering Information

6230 - 25 M XX X 0 1

- No.of Pins 25: 24+1
- Contact Plating G0=Gold Flash G1=3u"Gold G2=5u"Gold G3=10u"Gold G4=15u"Gold G5=30u"Gold S0=Gold Flash/Tin S1=3u"Gold/Tin S2=5u"Gold/Tin S3=10u"Gold/Tin S4=15u"Gold/Tin S5=30u"Gold/Tin SN=Tin
- Color B=Black W=White G=Grey



REV	DATE	MODIFICATION DESCRIPTION	CHANGE	APPROVE	OPERATION	DRAW	SCALE	PART NO.	DVI MALE 24+1 SOLDER TYPE
A0	09/03/23	NEW			X.X ±0.40	DESIGN	1:1	6230-25MXXX01	
					X.XX ±0.25	CHECK	mm		
					X.XXX ±0.15	APPROVE	A4		
					Angle ± 3'		1/1		
					DIM TOL	PROJ.	Customer NO.		

**WCON** 维峰五金电子有限公司  
WAVE HARDWARE ELECTRONICS CO.,LTD