

# HSF

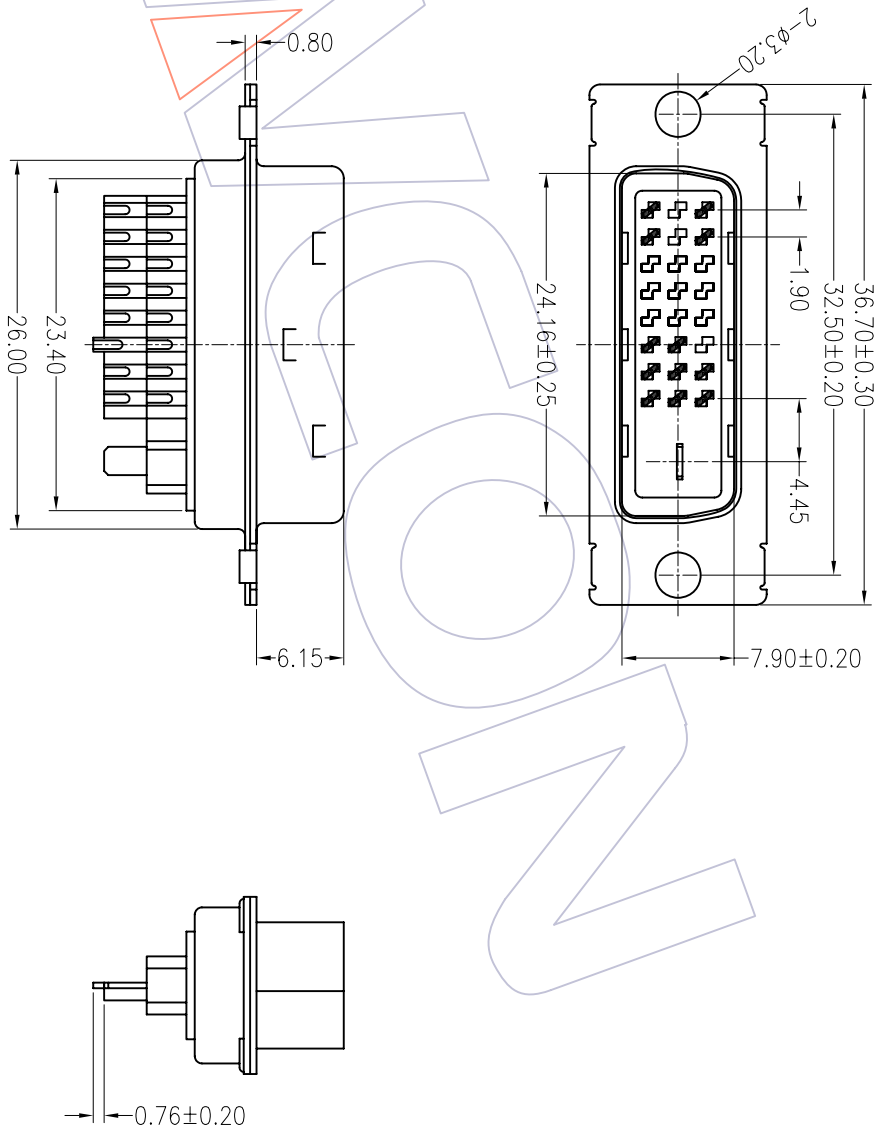
**NOTES:**

- Rated Current:3.0AMP
- Contact Resistance:30mΩ max
- Withstand Voltage:500V AC/DC
- Insulation Resistance:1000MΩ min
- Operation Temperature:-40℃ to +85℃
- Contact Material:Brass
- Contact Plating:Au or Sn Over Ni
- Shell Material: Zinc Alloy&Steel
- Shell plating: Ni or Sn over Fe
- Insulator Material:Polyester(UL94V-0)

## Ordering Information

6230 - 13 M XX X 0 1

- No.of Pins 13: 12+1
- Contact Plating G0=Gold Flash G1=3u"Gold G2=5u"Gold G3=10u"Gold G4=15u"Gold G5=30u"Gold S0=Gold Flash/Tin S1=3u"Gold/Tin S2=5u"Gold/Tin S3=10u"Gold/Tin S4=15u"Gold/Tin S5=30u"Gold/Tin SN=Tin
- Color B=Black W=White G=Grey



|           |          |                          |        |                  |      |          |                           |
|-----------|----------|--------------------------|--------|------------------|------|----------|---------------------------|
| OPERATION | X.X      | ±0.40                    | DRAW   | Millennium Class |      | SCALE    | 1:1                       |
|           | X.XX     | ±0.25                    |        | DESIGN           | UNIT |          | mm                        |
| CHECK     | X.XXX    | ±0.15                    | CHECK  | SHEET            | 1/1  | PART NO. | DVI MALE 12+1 SOLDER TYPE |
|           | Angle    | ± 3'                     |        |                  |      |          |                           |
| REV       | DATE     | MODIFICATION DESCRIPTION | CHANGE | APPROVE          |      |          |                           |
| A0        | 09/03/23 | NEW                      |        |                  |      |          |                           |

**WCON** 维峰五金电子有限公司  
 WAFER HARDWARE ELECTRONICS CO.,LTD

6230-13MXX01

DVI MALE 12+1 SOLDER TYPE