



NOTES:
 Current Rating: 3.0AMP
 Contact Resistance: 30mΩ max
 Withstand Voltage: 1000V AC/Minute
 Insulation Resistance: 1000MΩ min
 Operation Temperature: -55°C to +105°C

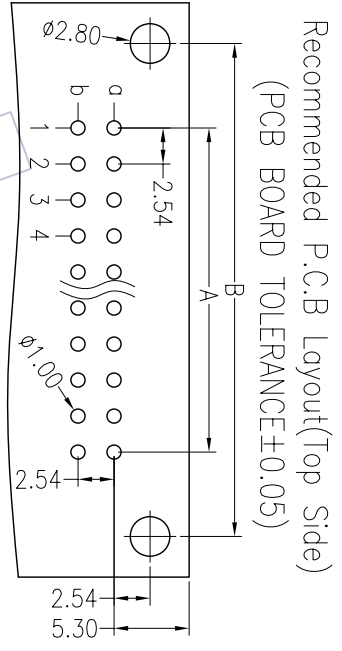
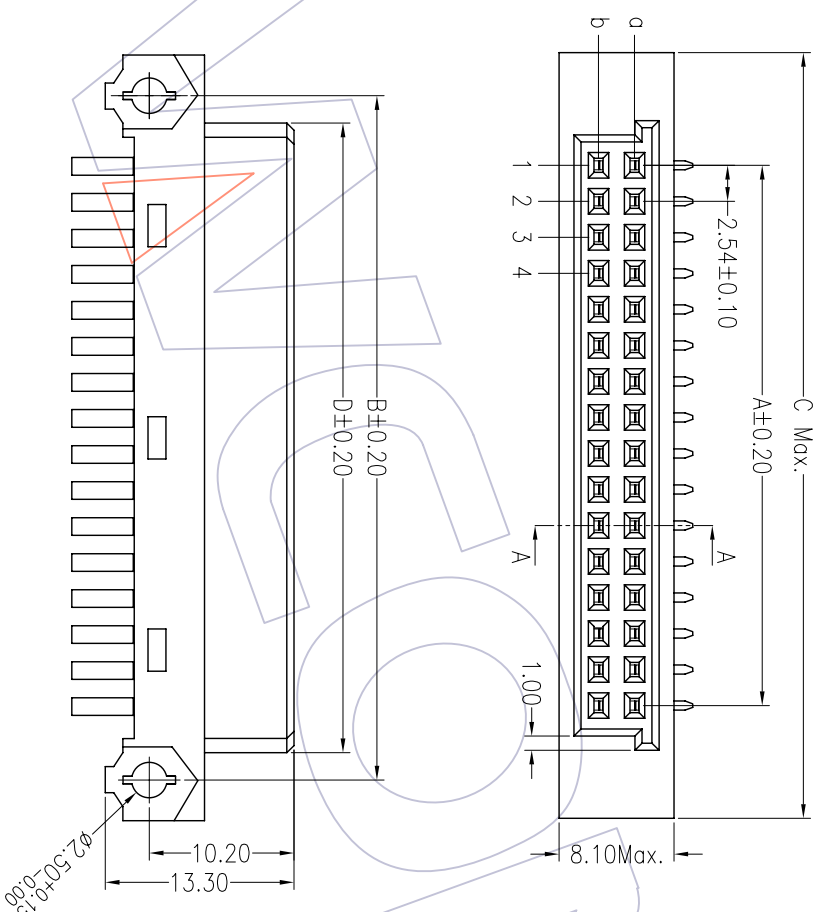
Contact Material: Phosphor Bronze
 Contact plating: Au or Sn Over Ni
 Insulator Material: PBT + 30%G.F UL94V-0

Ordering Information

3410-2 XX X FR XX N A 1

No. of Pins per Row with Contacts
 16pin B=a+b
 32pin D=a
 H=a+b 5.08Pitch

Contact Plating Packing
 G0=Gold Flash A=Tray
 G1=3u"Gold T=Tube
 G2=5u"Gold
 G3=10u"Gold
 G4=15u"Gold
 G5=30u"Gold
 S0=Gold Flash/Tin
 S1=3u"Gold/Tin
 S2=5u"Gold/Tin
 S3=10u"Gold/Tin
 S4=15u"Gold/Tin
 S5=30u"Gold/Tin
 SN=Tin



No. of Pins	A	B	C	D	PART NO.
2X16P	38.10	48.26	54.00	44.40	3410-216XFRXXNA1
2X32P	78.74	88.90	94.00	85.00	3410-232XFRXXNA1

Pitch	Rows/Positions With Contacts	PART NO.	OPERATION		DRAW		SCALE	
			±	TOL	DESIGN	CHECK	UNIT	mm
2.54	a b	3410-2XXBFRXXNA1	±0.40				1:1	
	o -	3410-2XXDFRXXNA1	±0.25					
5.08	a b	3410-2XXHFRXXNA1	±0.15					

WCON 维峰五金电子有限公司
 WAFER HARDWARE ELECTRONICS CO. LTD

REV	DATE	MODIFICATION DESCRIPTION	CHANGE	APPROVE	APPROVE	APPROVE	PROJ.	Customer NO.
A0	09/03/04	NEW						