



**NOTES:**

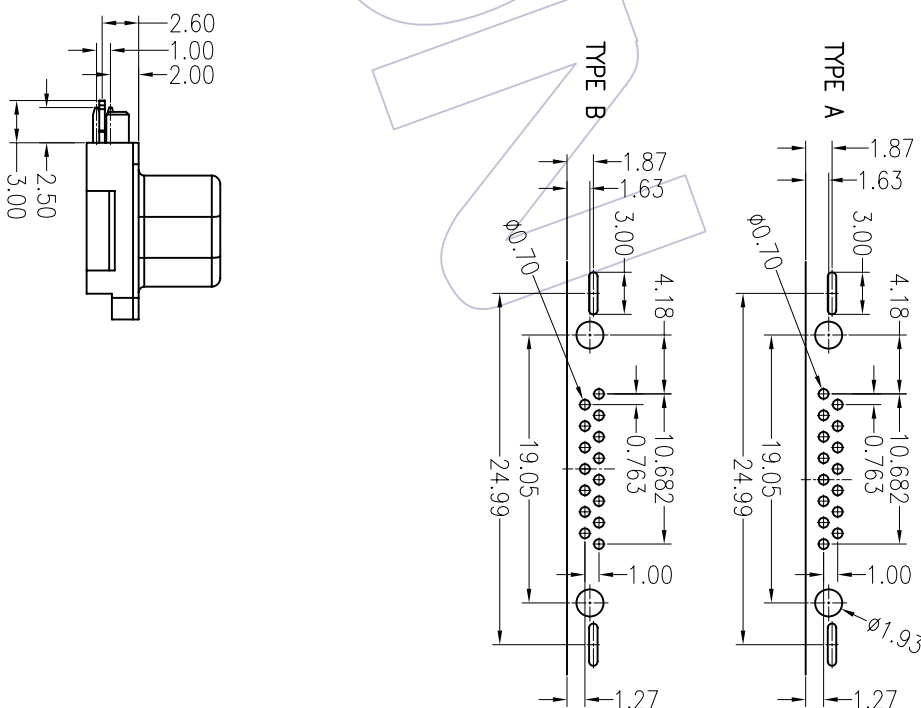
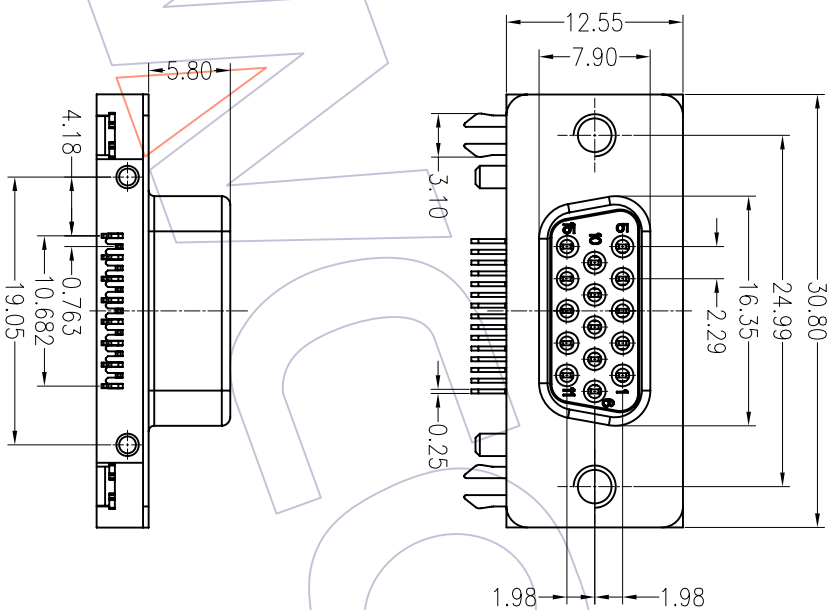
Rated Current:3.0AMP  
 Contact Resistance:25mΩ max  
 Withstand Voltage:500V AC/Minute  
 Insulation Resistance:1000MΩ min  
 Operation Temperature:-55℃ to +105℃

Contact Material:Brass  
 Contact Plating:Au or Sn Over Ni  
 Insulator Material:PA66+30%G.F UL94V-0  
 Shell: Cold Roller Steel, Ni Plated  
 Revit/Hardpoon:Brass, Tin Over Ni Plated

### Ordering Information

6215-15 F M X XX X 0 X

- No. of Pins
- EMI Core
- W=With EMI Core
- N=Without EMI Core
- Contact Plating
- G0=Gold Flash
- G1=3u"Gold
- G2=5u"Gold
- G3=10u"Gold
- G4=15u"Gold
- G5=30u"Gold
- S0=Gold Flash/Tin
- S1=3u"Gold/Tin
- S2=5u"Gold/Tin
- S3=10u"Gold/Tin
- S4=15u"Gold/Tin
- S5=30u"Gold/Tin
- SN=Tin
- Insulator Color
- B:Black
- W:White
- U:Blue
- G:Grey



Recommended P.C.B Layout(Top Side)  
 (PCB BOARD TOLERANCE±0.05)

TYPE A	6215-15FMXXXXX01
TYPE B	6215-15FMXXXXX02

OPERATION	±0.30	DRAW	William Chen	09.03.13	SCALE	1:1	PART NO.	SEE TABLE
DESIGN	±0.25	DESIGN			UNIT	mm		
CHECK	±0.15	CHECK			SIZE	A4	TITLE:	D-SUB SLIM CONNECTOR FEMALE 15P 90° DIP
APPROVE	± 3'	APPROVE			SHEET	1/1		
CHANGE		CHANGE			PROJ.		Customer NO.	
MODIFICATION DESCRIPTION								
DATE	NEW							
REV	09/03/13							

**WCON** 维峰五金电子有限公司  
 WAFE HARDWARE ELECTRONICS CO. LTD