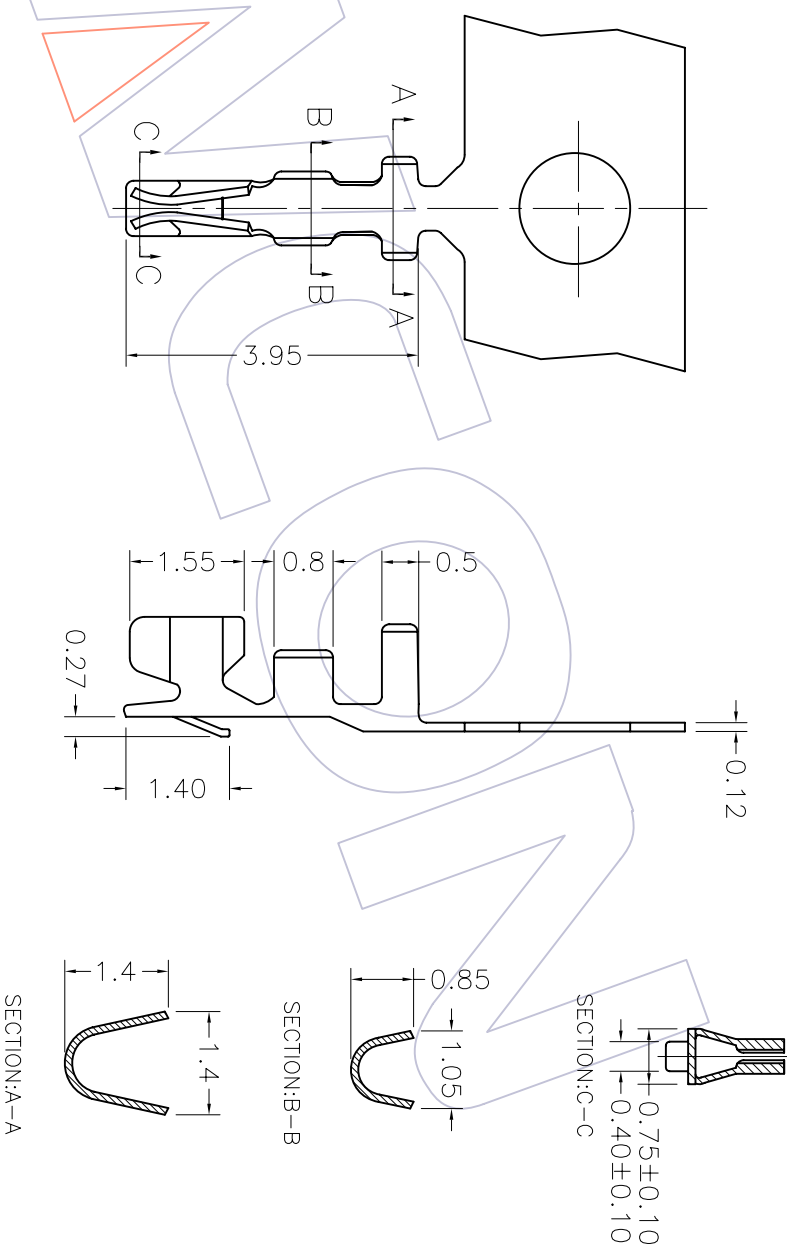


HSF

NOTES:
 Rated Current:1A
 Rated Voltage:50V AC/DC
 Contact Resistance:20mΩ max
 Withstand Voltage:500V AC/Minute
 Insulation Resistance:100MΩ min
 Operation Temperature:-25°C to+85°C
 Material:Phosphor bronze



Ordering Information

WF1006 - TP XX 01

Contact Plating:
 G0=Gold Flash
 G1=3μ"Gold
 G2=5μ"Gold
 G3=10μ"Gold
 G4=15μ"Gold
 G5=30μ"Gold
 S0=Gold Flash/Tin
 S1=3μ"Gold/Tin
 S2=5μ"Gold/Tin
 S3=10μ"Gold/Tin
 S4=15μ"Gold/Tin
 S5=30μ"Gold/Tin
 SN=Tin

Dimensional & Ordering Information

Part No.	Thickness	Finish	Wire Range	Insulation O.D	Qty/Reel
WF1006-TPSN01	0.12	Tin-Plated	AWG#28~#32	0.8mm(Max.)	15,000PCS
WF1006-TPG001	0.12	Gold-Plated	AWG#28~#32	0.8mm(Max.)	15,000PCS

WCON 维峰五金电子有限公司
 WAVE HARDWARE ELECTRONICS CO.,LTD

OPERATION	DRAW	WEIXD	SCALE	PART NO.
X.X	DESIGN	08/07/25	1:1	
X.XX	CHECK		UNIT	
X.XXX	CHECK		SIZE	A4
Angle	APPROVE		SHEET	1/1
DIM			PROJ.	Customer NO.
± .3'				

REV	DATE	MODIFICATION DESCRIPTION	CHANGE	APPROVE
A0	08/07/25	NEW		