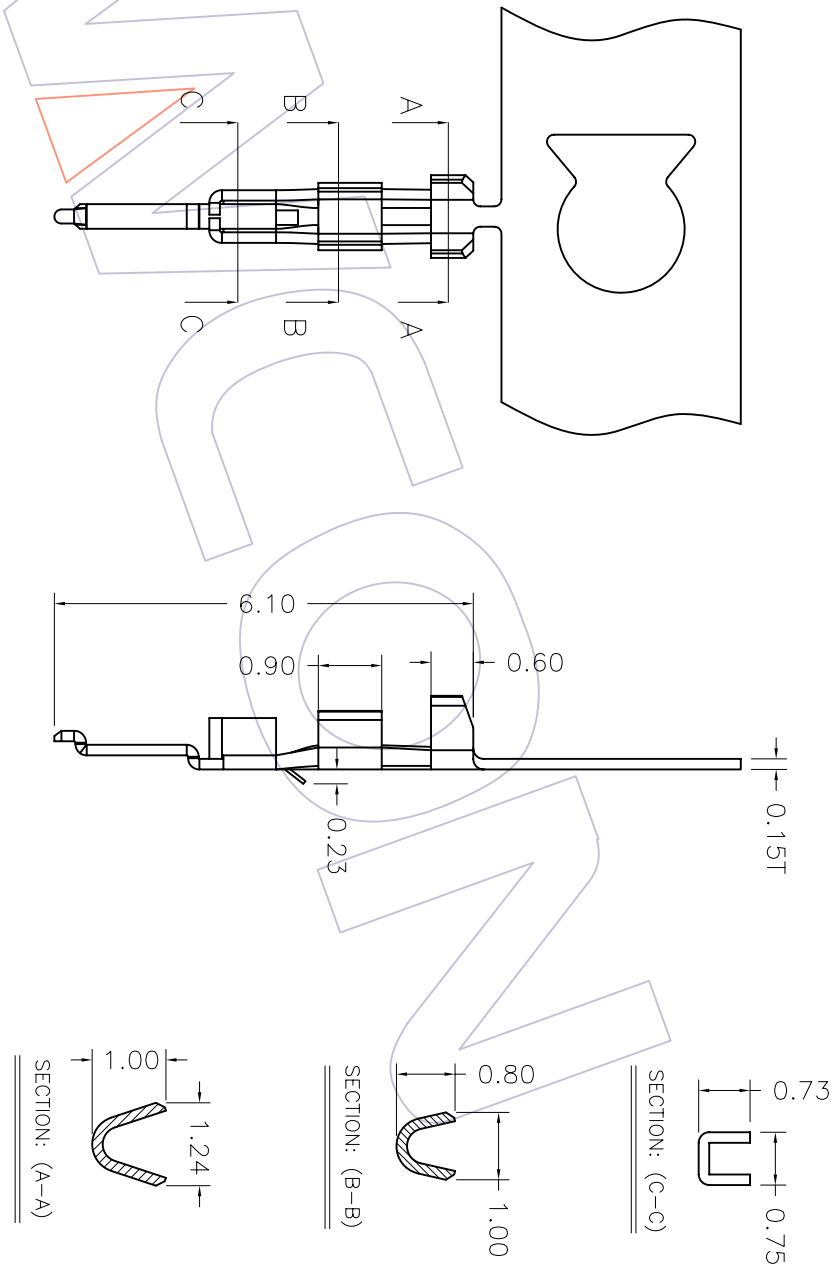


# HSF

NOTES:  
 Rated Current:0.5A  
 Rated Voltage:50V AC/DC  
 Contact Resistance:30mΩ max  
 Withstand Voltage:500V AC/Minute  
 Insulation Resistance:100MΩ min  
 Operation Temperature:-25°C to+85°C  
 Material:Phosphor bronze



## Ordering Information

WF1002 - TP **XX** 01

- Contact Plating:  
 G0=Gold Flash  
 G1=3μ"Gold  
 G2=5μ"Gold  
 G3=10μ"Gold  
 G4=15μ"Gold  
 G5=30μ"Gold  
 S0=Gold Flash/Tin  
 S1=3μ"Gold/Tin  
 S2=5μ"Gold/Tin  
 S3=10μ"Gold/Tin  
 S4=15μ"Gold/Tin  
 S5=30μ"Gold/Tin  
 SN=Tin

## Dimensional & Ordering Information

| Part No.      | Finish      | Wire Range | Insulation O.D | Q'ty/Reel |
|---------------|-------------|------------|----------------|-----------|
| WF1002-TPGX01 | Gold-Plated | AWG#30~#34 | 0.6mm(Max.)    | 20,000PCS |

**WCON** 维峰五金电子有限公司  
 WAVE HARDWARE ELECTRONICS CO.,LTD

| OPERATION | DRAW    | WEIXD    | SCALE | PART NO.          |
|-----------|---------|----------|-------|-------------------|
| XXX       | DESIGN  | 08/06/30 | 1:1   |                   |
| XXX       | CHECK   |          | mm    |                   |
| XXX       | CHECK   |          | A4    |                   |
| Angle     | APPROVE |          | 1/1   | TITLE:            |
| ± 3'      |         |          | PROJ. | JST 1.00 TERMINAL |
| ± 3'      |         |          |       | Customer NO.      |

| REV | DATE     | MODIFICATION DESCRIPTION | CHANGE | APPROVE |
|-----|----------|--------------------------|--------|---------|
| A0  | 08/06/30 | NEW                      |        |         |