

HSHF

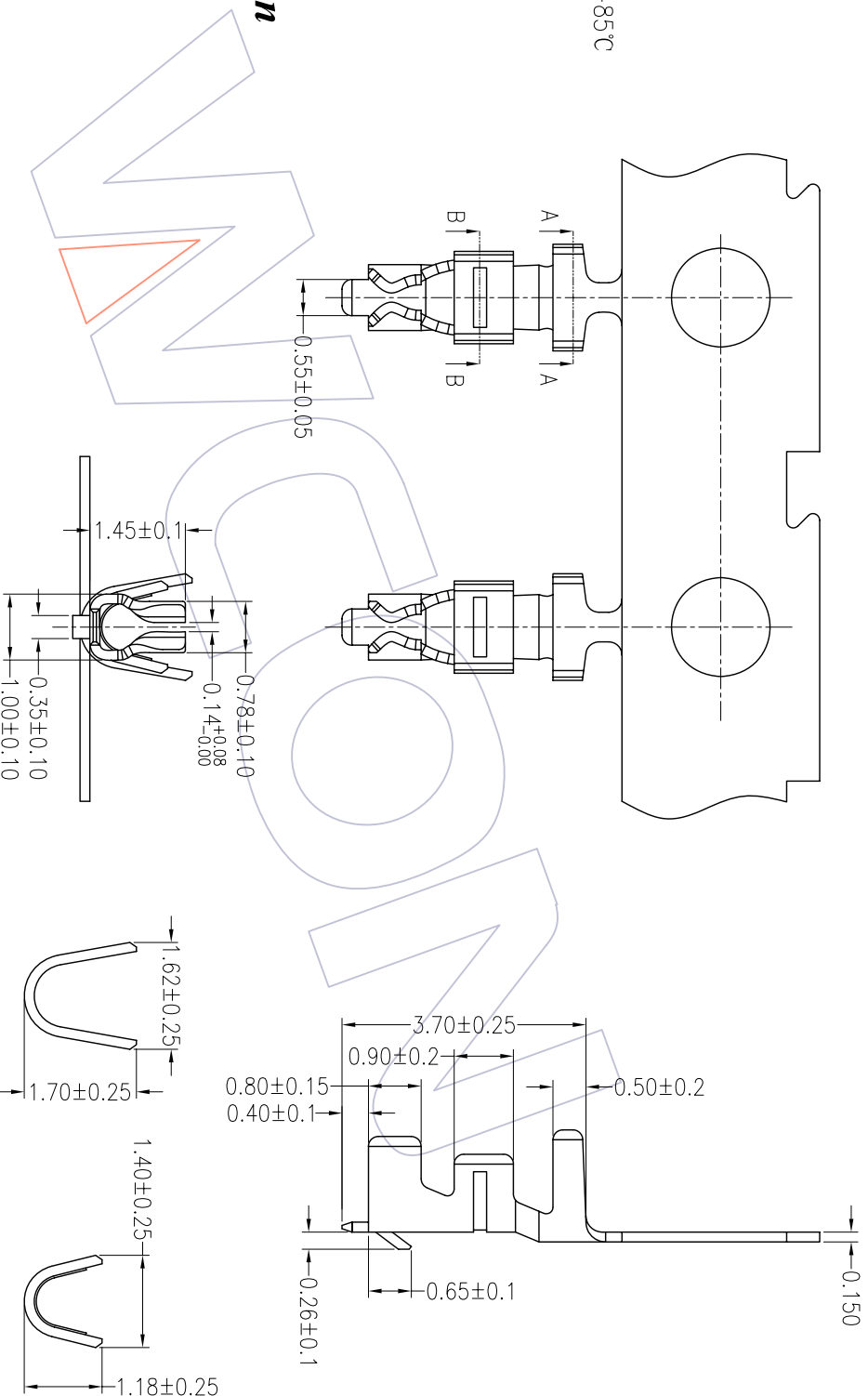
NOTES:

Rated Current:1.0AMP
Rated Voltage:150V AC/DC
Contact Resistance:30mΩ max
Withstand Voltage:500V AC/Minute
Insulation Resistance:500MΩ min
Operation Temperature: -25°C to +85°C

Ordering Information

WF 1253 - T P XX 0 1

Contact Plating
G0=Gold Flash
G1=3u"Gold
G2=5u"Gold
G3=10u"Gold
G4=15u"Gold
G5=30u"Gold
S0=Gold Flash/Tin
S1=3u"Gold/Tin
S2=5u"Gold/Tin
S3=10u"Gold/Tin
S4=15u"Gold/Tin
S5=30u"Gold/Tin
SN=Tin



Specification & Ordering Information:

Part No.	Thickness	Material	Finish	Wire Range	Insulation O.D	Qty/Reel
WF1253-TPG001	0.15	Phosphor bronze	Gold Flash	AWG#26~#30	1.00mm Max.	10,000PCS
WF1253-TPSN01	0.15	Phosphor bronze	Tin plated	AWG#26~#30	1.00mm Max.	10,000PCS

OPERATION	DRAW	Millman Class	SCALE	UNIT	PART NO.
X.X	DESIGN	08.07.29	1:1	mm	SEE TAB
X.XX	CHECK		A4		
X.XXX	CHECK		1/1		
Angle	APPROVE		PROJ.		
DIM	TOL				

REV	DATE	MODIFICATION DESCRIPTION	CHANGE	APPROVE
A0	08/07/29	NEW		

WCON 维峰五金电子有限公司	
WAFE HARDWARE ELECTRONICS CO. LTD	

TITLE: 1.25mm TERMINAL