

# HSF

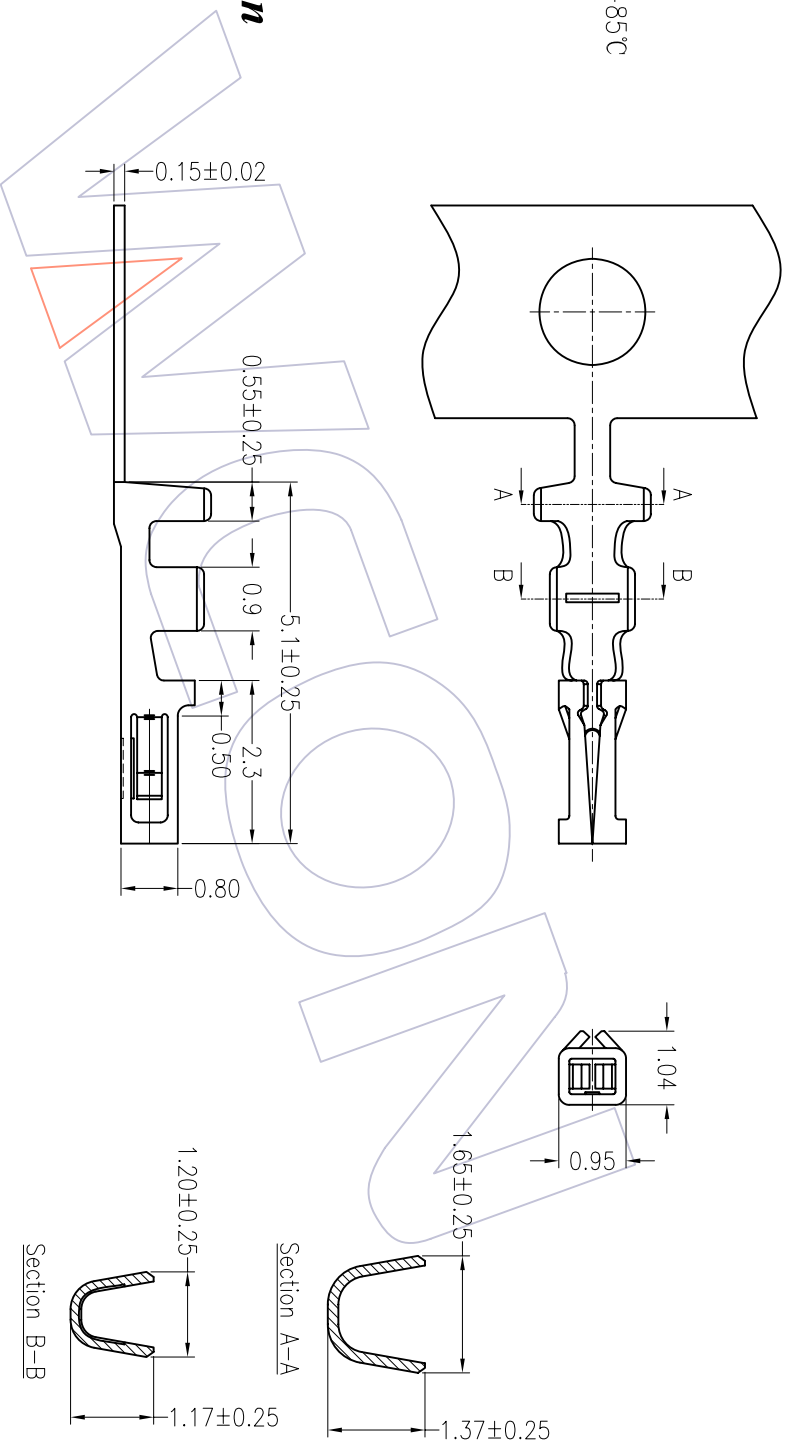
**NOTES:**

Rated Current:1.0AMP  
 Rated Voltage:125V AC/DC  
 Contact Resistance:20mΩ max  
 Withstand Voltage:500V AC/Minute  
 Insulation Resistance:100MΩ min  
 Operation Temperature: -25°C to +85°C

## Ordering Information

WF 1252 - T P G0 0 1

- Contact Plating  
 G0=Gold Flash  
 G1=3u"Gold  
 G2=5u"Gold  
 G3=10u"Gold  
 G4=15u"Gold  
 G5=30u"Gold  
 S0=Gold Flash/Tin  
 S1=3u"Gold/Tin  
 S2=5u"Gold/Tin  
 S3=10u"Gold/Tin  
 S4=15u"Gold/Tin  
 S5=30u"Gold/Tin  
 SN=Tin



Specification & Ordering Information:

Part No.	Thickness	Material	Finish	Wire Range	Insulation O.D	Qty/Reel
WF1252-TPG001	0.15	Phosphor bronze	Gold Flash	AWG#28-#32	0.90mm	20,000PCS

REV	DATE	MODIFICATION DESCRIPTION	CHANGE	APPROVE	OPERATION		DRAW	SCALE	WCON	
					Dim	TOL			UNIT	SIZE
A0	08/08/04	NEW			X.X	±0.25	William Chen	1:1	A4	SBE TAB
					X.XX	±0.13		mm	1/1	1.25mm TERMINAL
					X.XXX	±0.08				
					Angle	± 3'				
					APPROVE					

**WCON** 维峰五金电子有限公司  
 WAFER HARDWARE ELECTRONICS CO.,LTD