

HSF

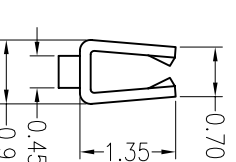
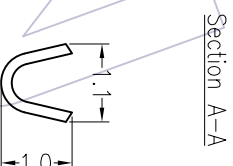
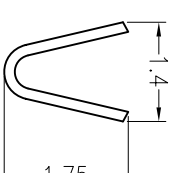
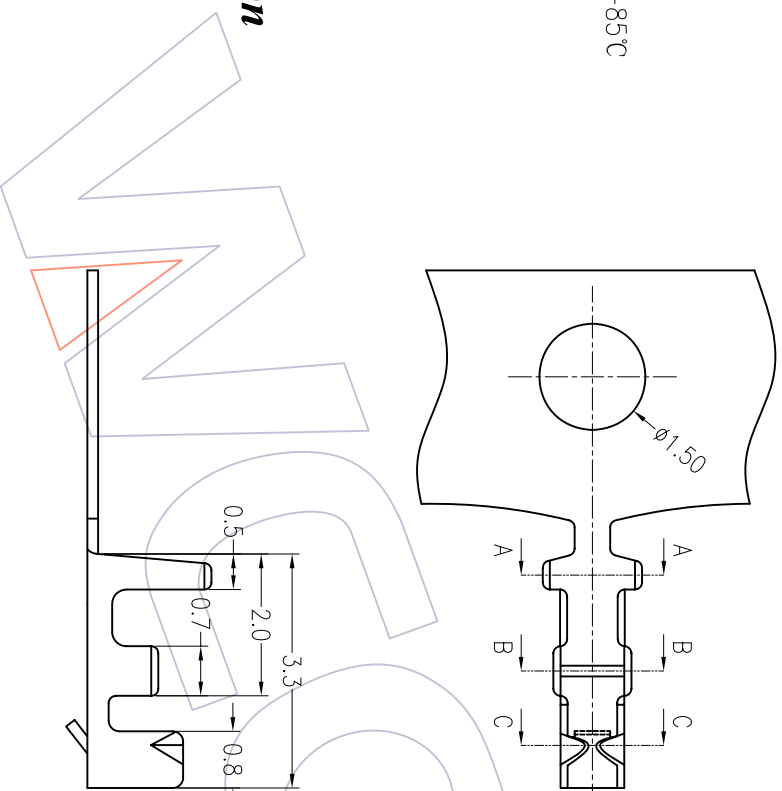
NOTES:

Rated Current:1.0AMP
Rated Voltage:100V AC/DC
Contact Resistance:20mΩ max
Withstand Voltage:250V AC/Minute
Insulation Resistance:100MΩ min
Operation Temperature: -25°C to +85°C

Ordering Information

WF 1251 - T P SN 0 1

Contact Plating
G0=Gold Flash
G1=3u"Gold
G2=5u"Gold
G3=10u"Gold
G4=15u"Gold
G5=30u"Gold
S0=Gold Flash/Tin
S1=3u"Gold/Tin
S2=5u"Gold/Tin
S3=10u"Gold/Tin
S4=15u"Gold/Tin
S5=30u"Gold/Tin
SN=Tin



Specification & Ordering Information:

Part No.	Thickness	Material	Finish	Wire Range	Insulation O.D	Qty/Reel
WF1251-TPSN01	0.15	Phosphor bronze	Tin-Plated	AWG#28~#32	1.05~1.20mm	15,000PCS

REV	DATE	MODIFICATION DESCRIPTION	CHANGE	APPROVE	OPERATION		DRAW	William Chen	08.07.19	SCALE		PART NO.	TITLE:	SEE TAB
					XXX	±0.25				UNIT	1:1			
A0	08/07/19	NEW			XXX	±0.13	DESIGN			A4				
					X.XXX	±0.08	CHECK			1/1			MX1.25 WAFER TERMINAL	
					Angle	± 3'	APPROVE			PROJ.				
					DIM	TOL								

WCON 维峰五金电子有限公司
WAVE HARDWARE ELECTRONICS CO.,LTD