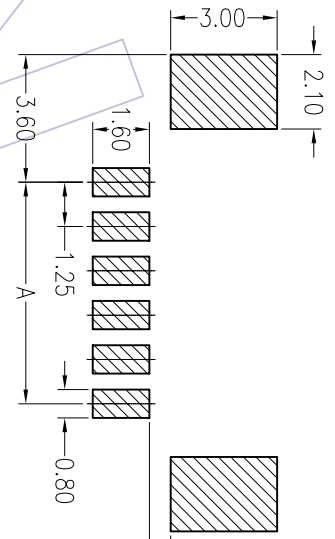
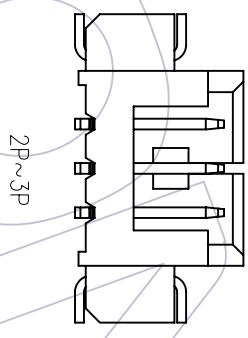
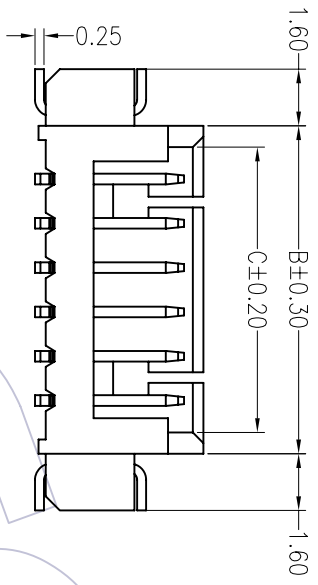




NOTES:

Rated Voltage:100V AC/DC  
 Rated Current:1.0AMP  
 Contact Resistance:20mΩ max  
 Withstand Voltage:250V AC/DC  
 Insulation Resistance:100MΩ min  
 Operation Temperature: -25°C to +85°C  
 Contact Material:Brass  
 Contact plating:Sn Over Ni  
 Insulator Material:PA6T+30%G.F UL94V-0

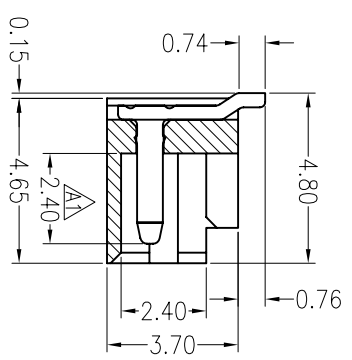
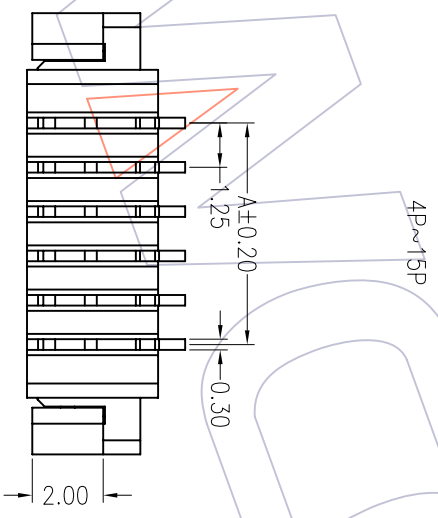


Recommended P.C.B Layout(Top Side)  
 (PCB BOARD TOLERANCE±0.05)

### Ordering Information

WF1251-W M XX X X 1

No.of Pins  
 02-15P  
 Color  
 B=Beige  
 A=Tray  
 W=White  
 T=Tube  
 R=Tray&Reel  
 Packing



Specification & Ordering Information:

Circuit	Part No.	Dimension			Q'ty /Tube
		A	B	C	
02	WF1251-WM02XX1	1.25	4.25	3.05	75
03	WF1251-WM03XX1	2.50	5.50	4.30	64
04	WF1251-WM04XX1	3.75	6.75	5.55	56
05	WF1251-WM05XX1	5.00	8.00	6.80	50
06	WF1251-WM06XX1	6.25	9.25	8.05	45
07	WF1251-WM07XX1	7.50	10.50	9.30	41
08	WF1251-WM08XX1	8.75	11.75	10.55	37
09	WF1251-WM09XX1	10.00	13.00	11.80	34
10	WF1251-WM10XX1	11.25	14.25	13.05	31
11	WF1251-WM11XX1	12.50	15.50	14.30	30
12	WF1251-WM12XX1	13.75	16.75	15.55	28
13	WF1251-WM13XX1	15.00	18.00	16.80	26
14	WF1251-WM14XX1	16.25	19.25	18.05	25
15	WF1251-WM15XX1	17.50	20.50	19.30	24

**WCON** 维峰五金电子有限公司  
 WAVE HARDWARE ELECTRONICS CO. LTD

OPERATION	DRAW	SCALE	PART NO.
X.X	DESIGN	1:1	SBB TAB
X.XX	CHECK	mm	
X.XXX	CHECK	A4	
Angle	APPROVE	1/1	TITLE: MX1.25 Wafer 180° SMT
± 3'	PROJ.	Customer NO.	

REV	DATE	MODIFICATION DESCRIPTION	CHANGE	APPROVE	DIM	TOL
A1	08/09/04	Change the Dimension			X.X	±0.40
A0	08/07/19	NEW			X.XXX	±0.25
1						