

HSPF

TECHNICAL SPECS:

Current Rating:1.0AMP
 Contact Resistance:10mΩ Max
 Dielectric Strength: Min 1000Vrms
 Mechanical Life: Min 100 cycles
 Mating Pin:∅0.40 to ∅0.56mm
 Forces: (polished steel gauge ∅0.43mm)
 -Insertion:2N typ. -Withdrawal:1N typ.
 Operation Temperature: -40°C to +105°C

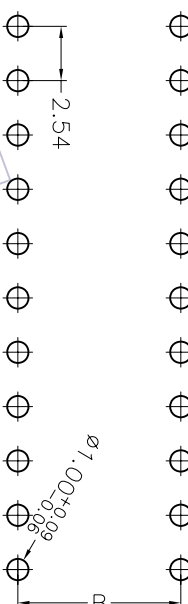
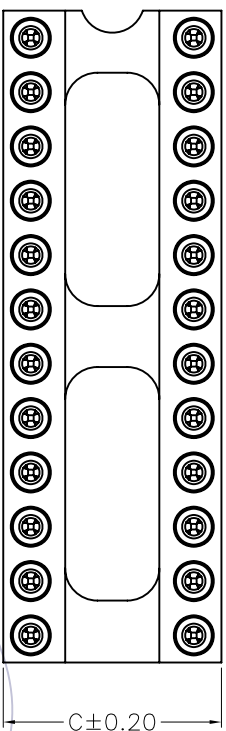
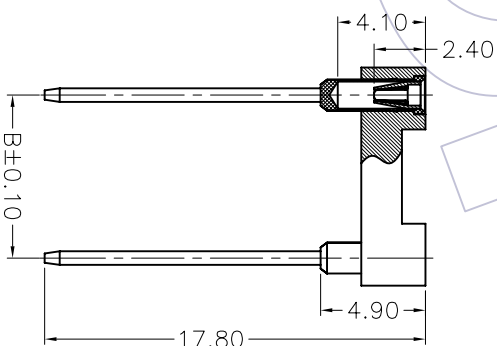
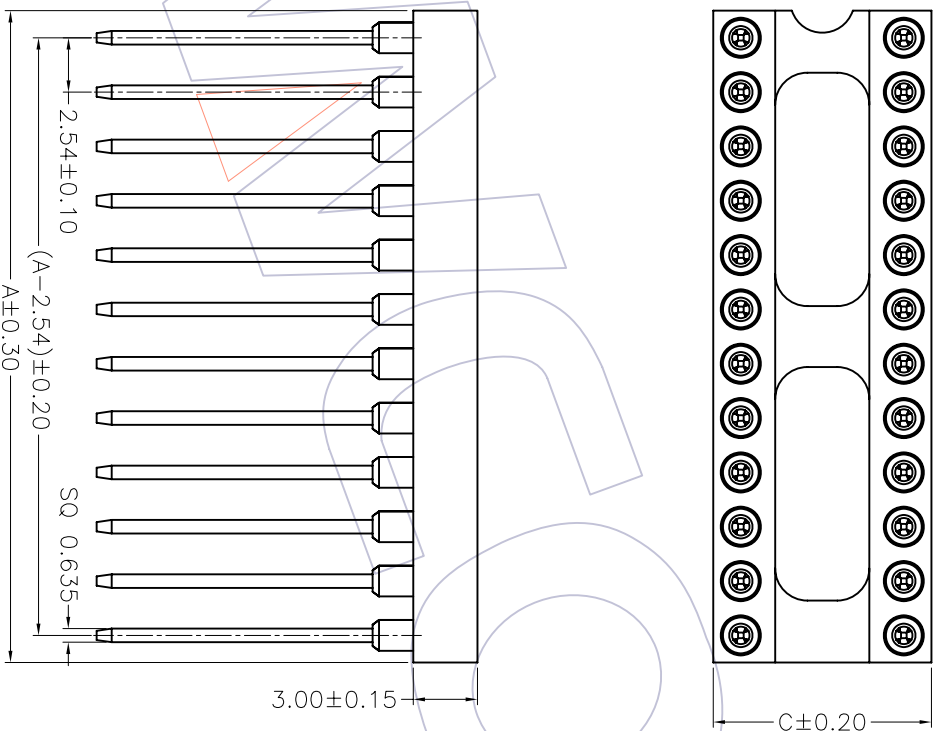
Sleeve:Brass CuZn36Pb3(C36000)
 Contact Clip(4 finger):BeCu(C17200)
 Contact plating:Au or Sn over Ni

Insulator Material:PPS+30%G.F(UL94V-0)
 06P~16P Insulators without center bar
 36P~52P Insulators with center two bar
 64P Insulators with center three bar

Ordering Information

7110-30X XX S XX 178 X 1

Row of Pitch No. of Pin Contact Plating Packing
 1=7.62mm See tab G0=Gold Flash T=Tube
 2=15.24mm G1=3u"Gold A=Tray
 3=10.16mm G2=5u"Gold
 3=10.16mm G3=10u"Gold
 5=22.86mm G4=15u"Gold
 G5=30u"Gold
 S0=Gold Flash/Tin
 S1=3u"Gold/Tin
 S2=5u"Gold/Tin
 S3=10u"Gold/Tin
 S4=15u"Gold/Tin
 S5=30u"Gold/Tin
 SN=Tin



Dimensional & Ordering Information

NO. of Poles	Part No.	Dimension		
		A	B	C
06	7110-30106SXX178X1	7.62	7.62	10.20
08	7110-30108SXX178X1	10.16	7.62	10.20
10	7110-30110SXX178X1	12.70	7.62	10.20
14	7110-30114SXX178X1	17.78	7.62	10.20
16	7110-30116SXX178X1	20.32	7.62	10.20
18	7110-30118SXX178X1	22.86	7.62	10.20
20	7110-30120SXX178X1	25.40	7.62	10.20
22	7110-30122SXX178X1	27.94	7.62	10.20
24	7110-30124SXX178X1	30.48	7.62	10.20
28	7110-30128SXX178X1	35.56	7.62	10.20
32	7110-30332SXX178X1	40.64	10.16	12.70
24	7110-30224SXX178X1	30.48	15.24	17.80
28	7110-30228SXX178X1	35.56	15.24	17.80
32	7110-30232SXX178X1	40.64	15.24	17.80
36	7110-30236SXX178X1	45.72	15.24	17.80
40	7110-30240SXX178X1	50.80	15.24	17.80
42	7110-30242SXX178X1	53.34	15.24	17.80
48	7110-30248SXX178X1	60.96	15.24	17.80
50	7110-30250SXX178X1	63.50	15.24	17.80
52	7110-30252SXX178X1	66.04	15.24	17.80
50	7110-30550SXX178X1	63.50	22.86	25.40
52	7110-30552SXX178X1	66.04	22.86	25.40
64	7110-30564SXX178X1	81.28	22.86	25.40

WCON 维峰五金电子有限公司
 WAVE HARDWARE ELECTRONICS CO. LTD

SEE TAB

2.54mm IC SOCKET 180°
 H=3.0 L=17.8 SQUARE PIN

REV	DATE	MODIFICATION DESCRIPTION	CHANGE	APPROVE	OPERATION	DRAW	WEIXD	SCALE	PART NO.
A0	08/10/22	NEW			X.X X.XX X.XXX	DESIGN CHECK	08/10/22	1:1 mm A4	
REV	DATE	MODIFICATION DESCRIPTION	CHANGE	APPROVE	Angle DIM	CHECK APPROVE		SHEET PROJ.	TITLE: Customer NO.