

# HSPF

## TECHNICAL SPECS:

Current Rating: 1.0AMP  
 Contact Resistance: 10mΩ Max  
 Dielectric Strength: Min 1000Vrms  
 Mechanical Life: Min 100 cycles  
 Mating Pin:  $\varnothing 0.40$  to  $\varnothing 0.56$ mm  
 Forces: (polished steel gauge  $\varnothing 0.43$ mm)  
 -Insertion: 2N typ. -Withdrawal: 1N typ.  
 Operation Temperature: -40°C to +105°C

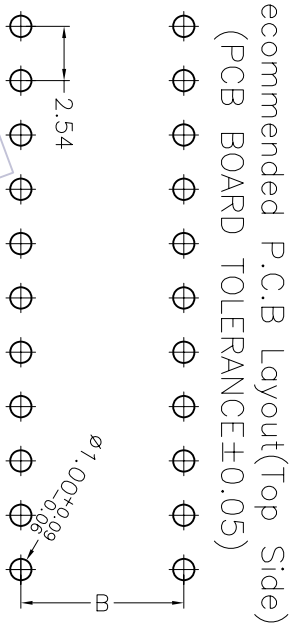
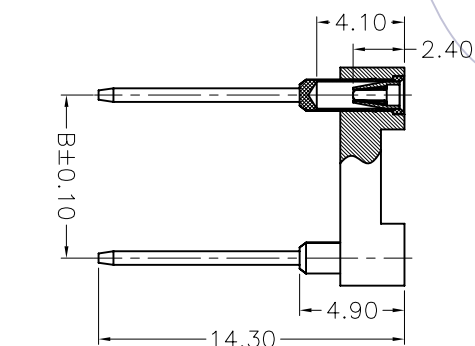
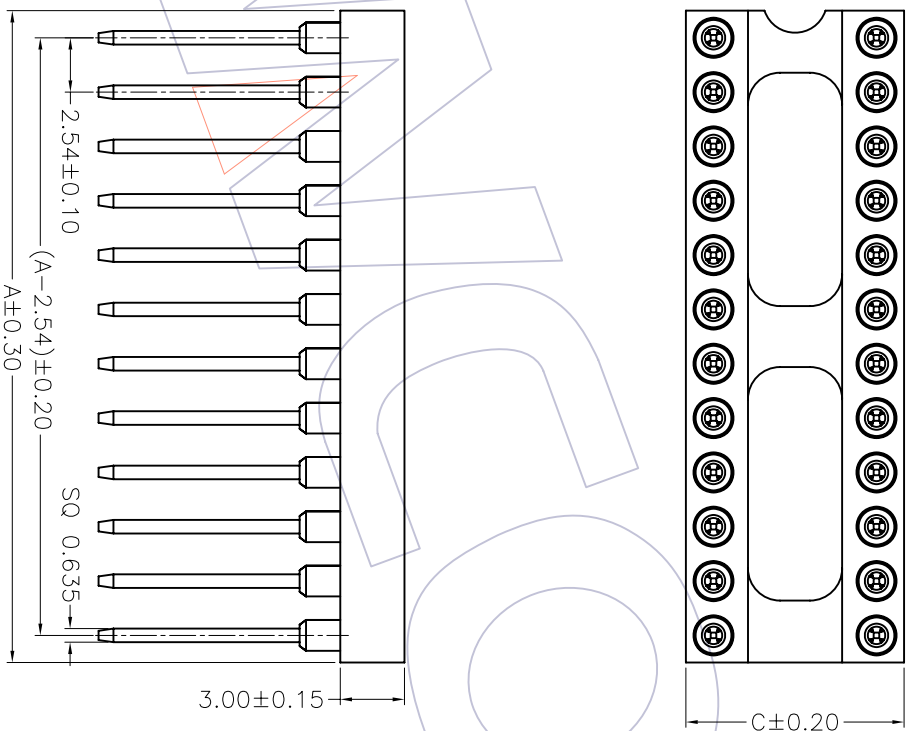
Sleeve: Brass CuZn36Pb3(C36000)  
 Contact Clip: (4 finger); BeCu(C17200)  
 Contact plating: Au or Sn over Ni

Insulator Material: PPS+30%G.F(UL94V-0)  
 06P~16P Insulators without center bar  
 36P~52P Insulators with center two bar  
 64P Insulators with center three bar

## Ordering Information

7110-30X XX S XX 143 X 1

Row of Pitch No. of Pin Contact Plating Packing  
 1=7.62mm See tab G0=Gold Flash T=Tube  
 2=15.24mm G1=3u"Gold A=Tray  
 3=10.16mm G2=5u"Gold  
 3=10.16mm G3=10u"Gold  
 5=22.86mm G4=15u"Gold  
 G5=30u"Gold  
 S0=Gold Flash/Tin  
 S1=3u"Gold/Tin  
 S2=5u"Gold/Tin  
 S3=10u"Gold/Tin  
 S4=15u"Gold/Tin  
 S5=30u"Gold/Tin  
 SN=Tin



Dimensional & Ordering Information

NO. of Poles	Part No.	Dimension		
		A	B	C
06	7110-30106SXX143X1	7.62	7.62	10.20
08	7110-30108SXX143X1	10.16	7.62	10.20
10	7110-30110SXX143X1	12.70	7.62	10.20
14	7110-30114SXX143X1	17.78	7.62	10.20
16	7110-30116SXX143X1	20.32	7.62	10.20
18	7110-30118SXX143X1	22.86	7.62	10.20
20	7110-30120SXX143X1	25.40	7.62	10.20
22	7110-30122SXX143X1	27.94	7.62	10.20
24	7110-30124SXX143X1	30.48	7.62	10.20
28	7110-30128SXX143X1	35.56	7.62	10.20
20	7110-30320SXX143X1	25.40	10.16	12.70
22	7110-30322SXX143X1	27.94	10.16	12.70
24	7110-30324SXX143X1	30.48	10.16	12.70
28	7110-30328SXX143X1	35.56	10.16	12.70
32	7110-30332SXX143X1	40.64	10.16	12.70
24	7110-30224SXX143X1	30.48	15.24	17.80
28	7110-30228SXX143X1	35.56	15.24	17.80
32	7110-30232SXX143X1	40.64	15.24	17.80
36	7110-30236SXX143X1	45.72	15.24	17.80
40	7110-30240SXX143X1	50.80	15.24	17.80
42	7110-30242SXX143X1	53.34	15.24	17.80
48	7110-30248SXX143X1	60.96	15.24	17.80
50	7110-30250SXX143X1	63.50	15.24	17.80
52	7110-30252SXX143X1	66.04	15.24	17.80
50	7110-30550SXX143X1	63.50	22.86	25.40
52	7110-30552SXX143X1	66.04	22.86	25.40
64	7110-30564SXX143X1	81.28	22.86	25.40

**WCON** 维峰五金电子有限公司  
 WAVE HARDWARE ELECTRONICS CO. LTD

### SEE TAB

2.54mm TC SOCKET 180°  
 H=3.0 L=14.3 SQUARE PIN

REV	DATE	MODIFICATION DESCRIPTION	CHANGE	APPROVE	OPERATION	DRAW	WEIXD	SCALE	PART NO.
A0	08/10/22	NEW			X.X X.XX X.XXX	DESIGN CHECK	08/10/22	1:1 mm	
REV	DATE	MODIFICATION DESCRIPTION	CHANGE	APPROVE	Angle DIM	CHECK APPROVE		UNIT SIZE	TITLE: Customer NO.
1					± 3° TOL			A4 1/1	