

HSP

TECHNICAL SPECS:

Current Rating: 1.0AMP
 Contact Resistance: 10mΩ Max
 Dielectric Strength: Min 1000Vrms
 Mechanical Life: Min 500 cycles
 Operation Temperature: -40°C to +105°C

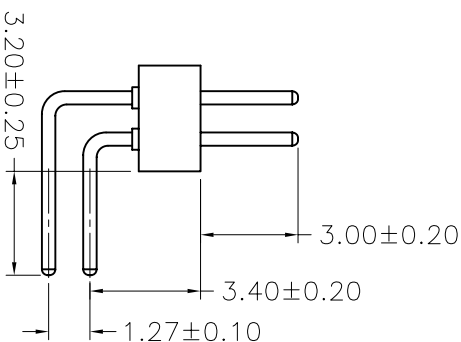
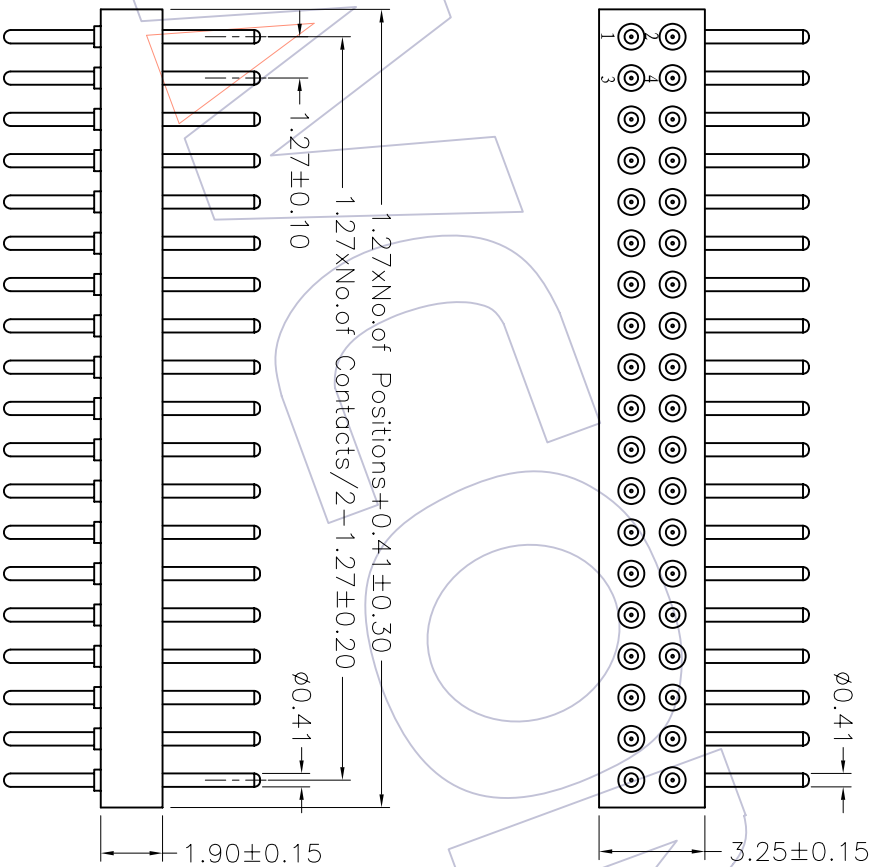
Sleeve: Brass CuZn36Pb3(C360000)
 Connecting Pin: $\phi 0.41$ mm
 Contact plating: Au or Sn over Ni
 Insulator Material: PPS+30%G.F(UL94V-0)

Ordering Information

3514-192 XX R XX 103 X 1

No. of Pin 2-50PIN
 Contact Plating
 G0=Gold Flash
 G1=3u"Gold
 G2=5u"Gold
 G3=10u"Gold
 G4=15u"Gold
 G5=30u"Gold
 S0=Gold Flash/Tin
 S1=3u"Gold/Tin
 S2=5u"Gold/Tin
 S3=10u"Gold/Tin
 S4=15u"Gold/Tin
 S5=30u"Gold/Tin
 SN=Tin

Packing
 A=Tray
 T=Tube



Recommended P.C.B Layout(Top Side)
 (PCB BOARD TOLERANCE ± 0.05)

Recommended PCB layout diagram showing a grid of holes. Dimensions include:

- Grid pitch: 1.27
- Grid spacing: $\phi 0.70$

REV	DATE	MODIFICATION DESCRIPTION	CHANGE	APPROVE	OPERATION		DRAW		WEIXD	08/10/17	SCALE		PART NO.	TITLE:
					XXX	± 0.30	DESIGN	UNIT			1:1	mm		
A0	08/10/17	NEW			XXX	± 0.20	CHECK	A4			1/1	3514-192XXRX103X1	1.27mm MACHINED PIN HEADER DIAL ROW 90° H=1.90 L=10.3	
1					Angle	$\pm 3'$	APPROVE	PROU.				Customer NO.		

WCON 维峰五金电子有限公司
 WAVE HARDWARE ELECTRONICS CO.,LTD