

HSP

TECHNICAL SPECS:

Current Rating: 1.0AMP
 Contact Resistance: 10mΩ Max
 Dielectric Strength: Min 500Vrms
 Mechanical Life: Min 500 cycles
 Mating Pin: $\phi 0.38$ to $\phi 0.50$ mm
 Forces: (polished steel gauge $\phi 0.41$ mm)
 -Insertion: 0.5N typ. -Withdrawal: 0.2N typ.
 Operation Temperature: -40°C to +105°C

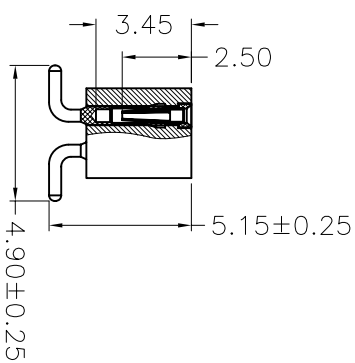
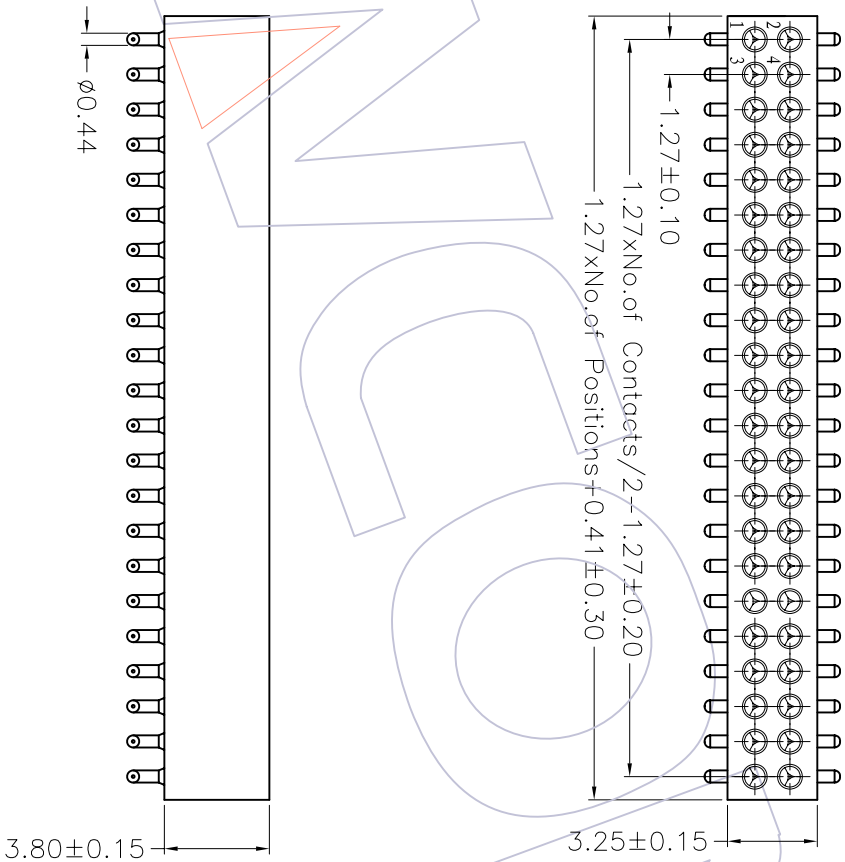
Sleeve: Brass CuZn36Pb3(C36000)
 Contact Clip(3 finger): BeCu(C17200)
 Contact plating: Au or Sn over Ni
 Insulator Material: PPS+30%G.F.(UL94V-0)
 Coplanarity SMD terminations: max 0.1mm
 (measured on 25mm long connectors)

Ordering Information

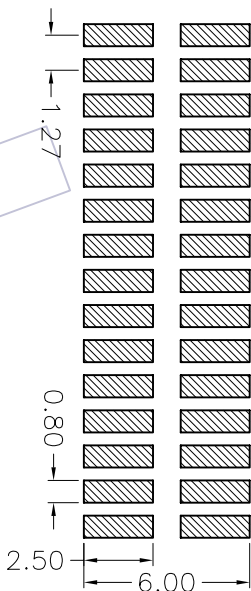
3524-382 XX M XX 064 X 1

No. of Pin 2-50PIN
 Contact Plating
 G0=Gold Flash
 G1=3u"Gold
 G2=5u"Gold
 G3=10u"Gold
 G4=15u"Gold
 G5=30u"Gold
 S0=Gold Flash/Tin
 S1=3u"Gold/Tin
 S2=5u"Gold/Tin
 S3=10u"Gold/Tin
 S4=15u"Gold/Tin
 S5=30u"Gold/Tin
 SN=Tin

Packing
 T=Tube
 P=Tube+CAP
 R=Tape&Reel+CAP



Recommended P.C.B Layout(Top Side)
 (PCB BOARD TOLERANCE±0.05)



REV	DATE	MODIFICATION DESCRIPTION	CHANGE	APPROVE	OPERATION		DRAW	WEIXD	08/10/13	SCALE		PART NO.	TITLE:
					DM	TOL				UNIT	SIZE		
A0	08/10/13	NEW			XXX	±0.40	DESIGN			mm	A4	3524-382XXMXX064X1	1.27mm MACHINED FEMALE HEADER DIAL ROW 180° SHFT H=3.80
					XXXX	±0.25	CHECK				1/1		
					Angle	± .3'	APPROVE						

WCON 维峰五金电子有限公司
 WAFE HARDWARE ELECTRONICS CO. LTD