

HSHF

TECHNICAL SPECS:

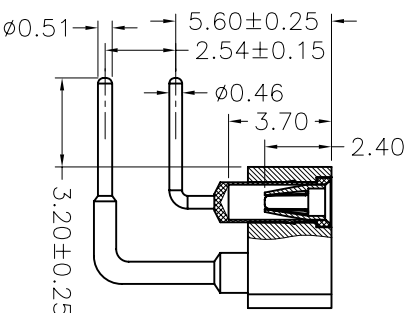
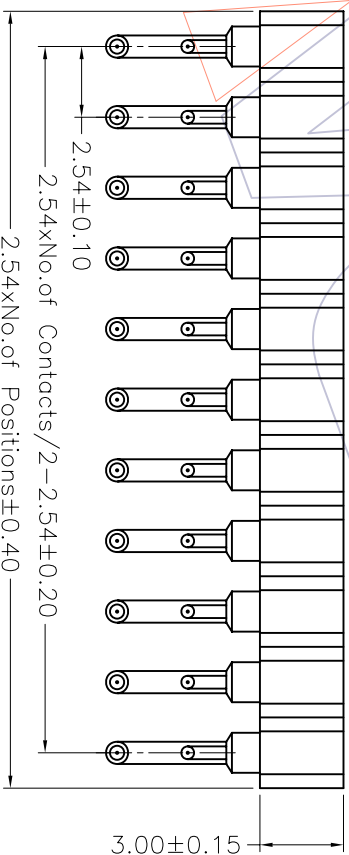
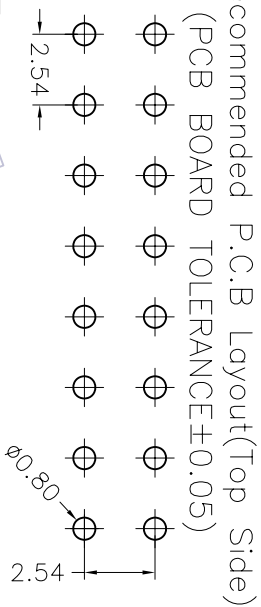
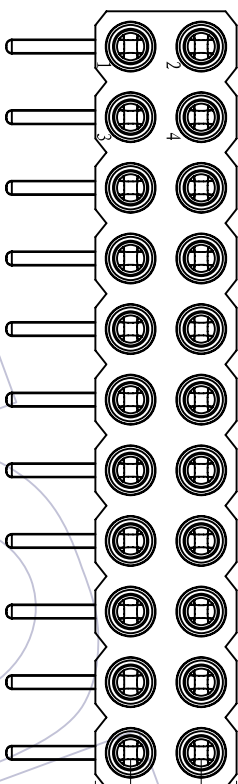
Current Rating:3.0AMP
Contact Resistance:10mΩ Max
Dielectric Strength: Min 1000Vrms
Mechanical Life: Min 500 cycles
Mating Pin:φ0.40 to φ0.56mm
Forces: (polished steel gauge φ0.43mm)
-Insertion:2N typ. -Withdrawal:1N typ.
Operation Temperature:-40°C to +105°C
Sleeve:Brass CuZn36Pb3(C360000)
Contact Clip(4 finger):BeCu(C17200)
Contact plating:Au or Sn over Ni
Insulator Material:PPS+30%G.F.(UL94V-0)

Ordering Information

3520-302 XX R XX 098 X 1

No. of Pin 2-40PIN
Contact Plating
G0=Gold Flash
G1=3u"Gold
G2=5u"Gold
G3=10u"Gold
G4=15u"Gold
G5=30u"Gold
S0=Gold Flash/Tin
S1=3u"Gold/Tin
S2=5u"Gold/Tin
S3=10u"Gold/Tin
S4=15u"Gold/Tin
S5=30u"Gold/Tin
SN=Tin

Packing
A=Tray
T=Tube



REV	DATE	MODIFICATION DESCRIPTION	CHANGE	APPROVE	OPERATION	DRAW	WEIXD	SCALE	PART NO.	TITLE:
A0	08/10/14	NEW			OPERATION X.X ±0.40 X.XX ±0.25 X.XXX ±0.15 Angle ± 3°	DESIGN CHECK	08/10/14	1:1 mm A4	3520-302XXRX098X1	2.54mm MACHINED FEMALE HEADER DIAL ROW 90° H=3.00 L=9.8
REV	DATE	MODIFICATION DESCRIPTION	CHANGE	APPROVE	DIM	TOL	APPROVE	PROJ.	Customer NO.	

WCON 维峰五金电子有限公司
WAFE HARDWARE ELECTRONICS CO.,LTD