

HSPF

TECHNICAL SPECS:

Current Rating:3.0AMP
 Contact Resistance:10mΩ Max
 Dielectric Strength: Min 1000Vrms
 Mechanical Life: Min 500 cycles
 Mating Pin:∅0.40 to ∅0.56mm

Forces: (polished steel gauge ∅0.43mm)
 -Insertion:2N typ. -Withdrawal:1N typ.
 Operation Temperature:-40°C to +105°C

Sleeve:Brass CuZn36Pb3(C36000)

Contact Clip(4 finger):BeCu(C17200)

Contact plating:Au or Sn over Ni

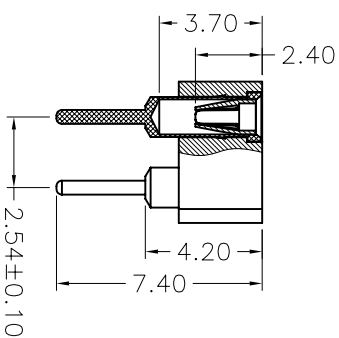
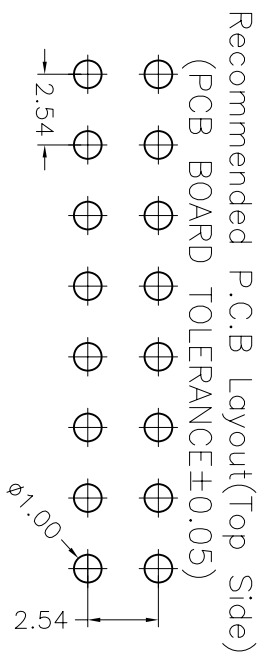
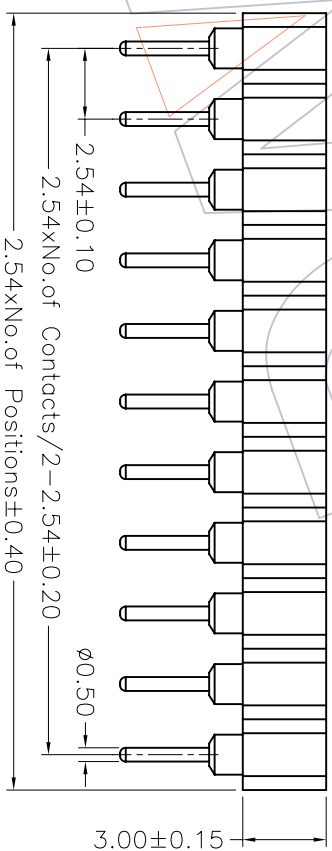
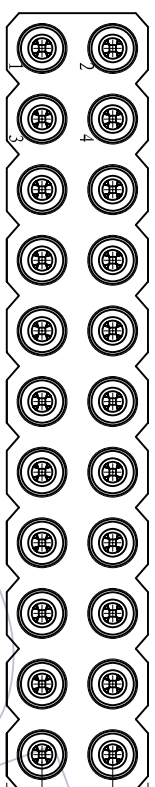
Insulator Material:PPS+30%G.F.(UL94V-0)

Ordering Information

3520-302 XX S XX 074 X 1

No. of Pin
 2-40PIN
 Contact Plating
 G0=Gold Flash
 G1=3u"Gold
 G2=5u"Gold
 G3=10u"Gold
 G4=15u"Gold
 G5=30u"Gold
 S0=Gold Flash/Tin
 S1=3u"Gold/Tin
 S2=5u"Gold/Tin
 S3=10u"Gold/Tin
 S4=15u"Gold/Tin
 S5=30u"Gold/Tin
 SN=Tin

Packing
 A=Tray
 T=Tube



REV	DATE	MODIFICATION DESCRIPTION	CHANGE	APPROVE	OPERATION		DRAW	WEIXD	08/10/14	SCALE		PART NO.	TITLE:
					DM	TOL				APP	PROJ.		
A0	08/10/14	NEW			X.X	±0.40	DESIGN			1:1	mm	3520-302XXSX074X1	2.54mm MACHINED FEMALE HEADER DIAL ROW 180° H=3.00 L=7.4
					X.XX	±0.25	CHECK			A4			
					X.XXX	±0.15	APPROVE			1/1			
					Angle	± 3'							Customer NO.

WCON 维峰五金电子有限公司
 WAFER HARDWARE ELECTRONICS CO.,LTD