

HSP

TECHNICAL SPECS:

Current Rating:3.0AMP
 Contact Resistance:10mΩ Max
 Dielectric Strength: Min 1000Vrms
 Mechanical Life: Min 500 cycles
 Mating Pin:∅0.40 to ∅0.66mm or 0.505SQ
 Forces: (polished steel gauge ∅0.46mm)
 -Insertion:0.7N typ. -Withdrawal:0.4N typ.
 Operation Temperature:-40°C to +105°C

Sleeve:Brass CuZn36Pb3(C36000)
 Contact Clip(4 finger):BeCu(C17200)
 Contact plating:Au or Sn over Ni
 Insulator Material:PPS+30%G.F(UL94V-0)

Ordering Information

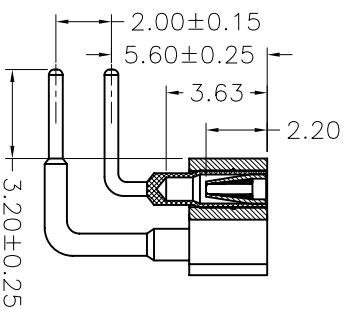
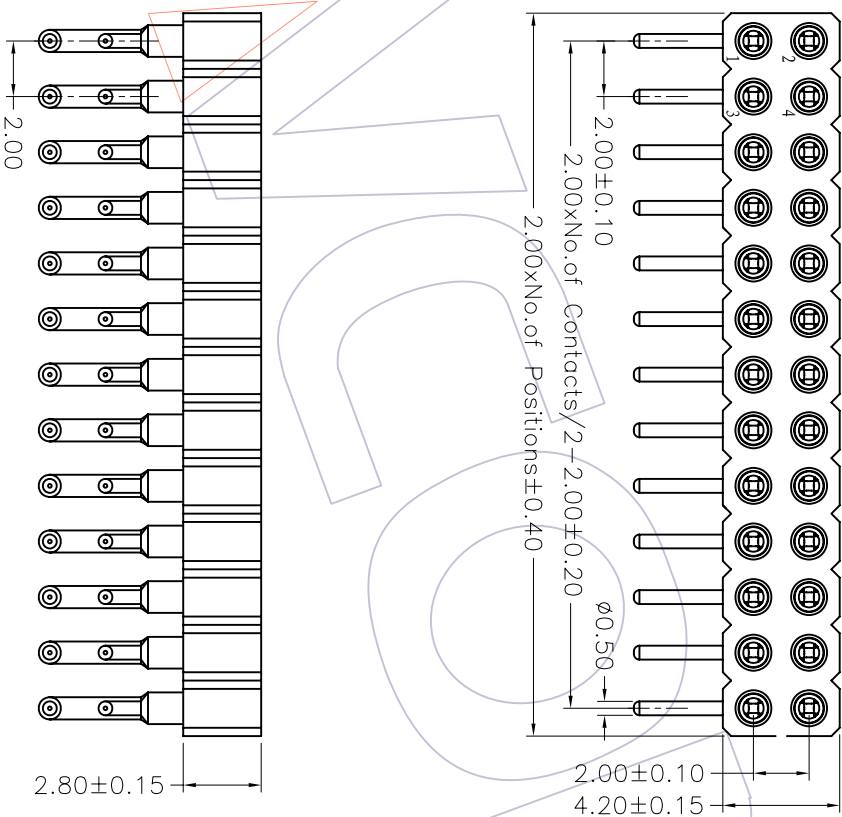
3522-282 XX R XX 096 X 1

No. of Pin
 2-40PIN

Contact Plating
 G0=Gold Flash
 G1=3u"Gold
 G2=5u"Gold
 G3=10u"Gold
 G4=15u"Gold
 G5=30u"Gold

Packaging
 A=Tray
 T=Tube

S0=Gold Flash/Tin
 S1=3u"Gold/Tin
 S2=5u"Gold/Tin
 S3=10u"Gold/Tin
 S4=15u"Gold/Tin
 S5=30u"Gold/Tin
 SN=Tin



Recommended P.C.B Layout(Top Side)
 (PCB BOARD TOLERANCE±0.05)

REV	DATE	MODIFICATION DESCRIPTION	CHANGE	APPROVE	OPERATION		DRAW		SCALE		PART NO.	TITLE:
					XXX	±0.40	DESIGN	UNIT	1:1	Customer NO.		
A0	08/10/13	NEW			XXX	±0.25	CHECK	A4	3522-282XXRX096X1	2.00mm MACHINED FEMALE HEADER DUAL ROW 90° H=2.80 L=9.6		
					Angle	± 3'	APPROVE					
					DIM	TOL						

WCON 维峰五金电子有限公司
 WAFER HARDWARE ELECTRONICS CO.,LTD