

HSP

TECHNICAL SPECS:

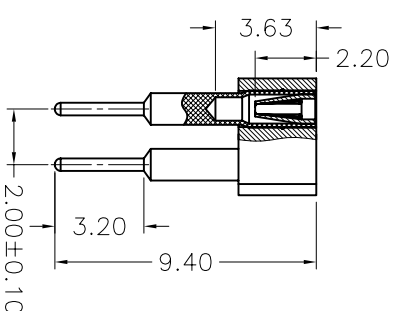
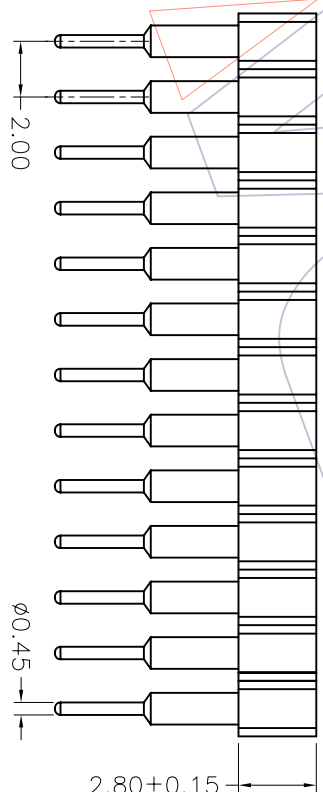
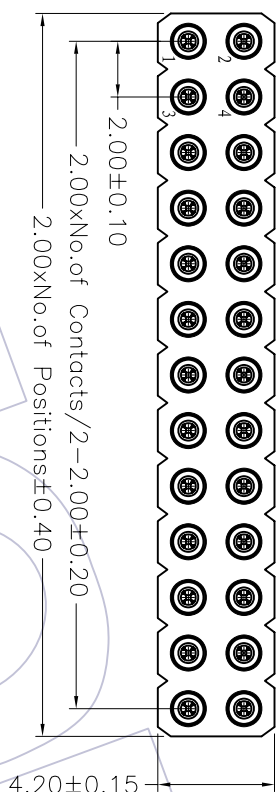
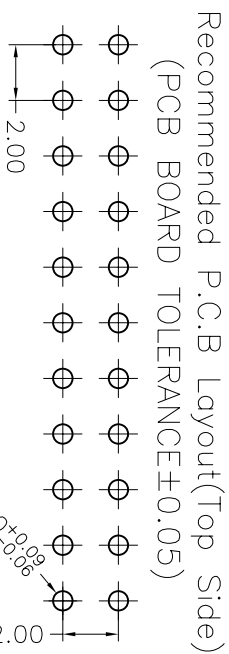
Current Rating: 3.0AMP
 Contact Resistance: 10mΩ Max
 Dielectric Strength: Min 1000Vrms
 Mechanical Life: Min 500 cycles
 Mating Pin: $\phi 0.40$ to $\phi 0.66$ mm or 0.505SQ
 Forces: (polished steel gauge $\phi 0.46$ mm)
 -Insertion: 0.7N typ. -Withdrawal: 0.4N typ.
 Operation Temperature: -40°C to +105°C

Sleeve: Brass CuZn36Pb3(C36000)

Contact Clip(4 finger): BeCu(C17200)

Contact plating: Au or Sn over Ni

Insulator Material: PPS+30%G.F(UL94V-0)



Ordering Information

3522-282 XX S XX 094 X 1

- No. of Pin: 2-40PIN
- Contact Plating: G0=Gold Flash, G1=3u"Gold, G2=5u"Gold, G3=10u"Gold, G4=15u"Gold, G5=30u"Gold
- S0=Gold Flash/Tin, S1=3u"Gold/Tin, S2=5u"Gold/Tin, S3=10u"Gold/Tin, S4=15u"Gold/Tin, S5=30u"Gold/Tin
- SN=Tin
- Packing: A=Tray, T=Tube

REV	DATE	MODIFICATION DESCRIPTION	CHANGE	APPROVE	OPERATION	DRAW	WEIXD	SCALE	PART NO.	TITLE:
A0	08/10/13	NEW			X.X	DESIGN	08/10/13	1:1	3522-282XXSX094X1	2.00mm MACHINED FEMALE HEADER DUAL ROW 180° H=2.80 L=9.4
					X.XX	CHECK		A4		
					X.XXX	APPROVE		1/1		
					Angle	PROJ.			Customer NO.	
					± 3'					

WCON 维峰五金电子有限公司
 WAVE HARDWARE ELECTRONICS CO.,LTD