

HSHF

TECHNICAL SPECS:

Current Rating:3.0AMP
 Contact Resistance:10mΩ Max
 Dielectric Strength: Min 1000Vrms
 Mechanical Life: Min 500 cycles
 Mating Pin:φ0.40 to φ0.66mm or 0.50SQA
 Forces: (polished steel gauge φ0.46mm)
 -Insertion:0.7N typ. -Withdrawal:0.4N typ.
 Operation Temperature:-40°C to +105°C

Sleeve:Brass CuZn36Pb3(C356000)
 Contact Clip(4 finger):BeCu(C17200)
 Contact plating:Au or Sn over Ni
 Insulator Material:PPS+30%G.F(UL94V-0)

Ordering Information

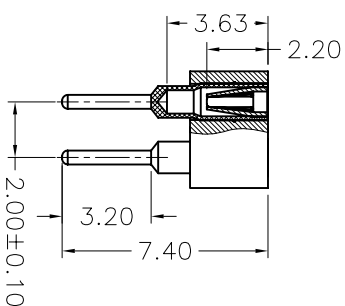
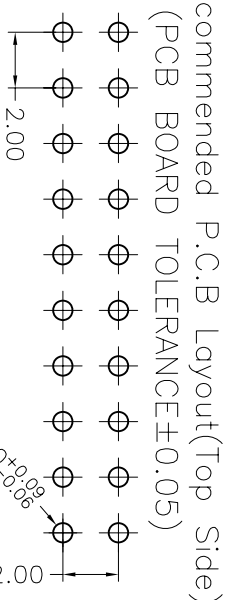
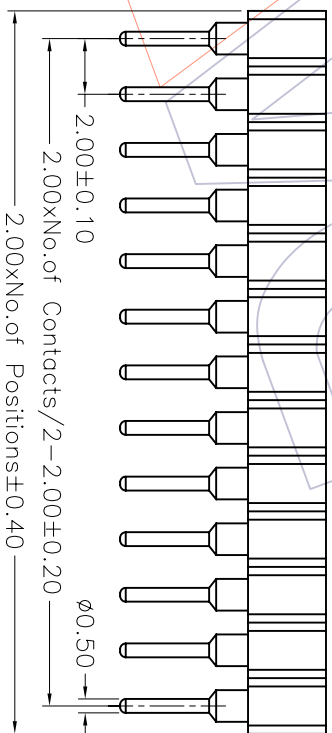
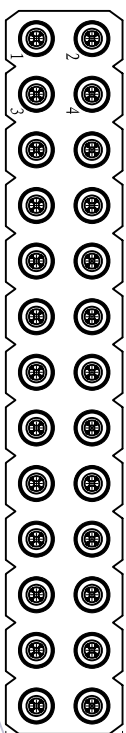
3522-282 XX S XX 074 X 1

No. of Pin
2-40PIN

Contact Plating
G0=Gold Flash
G1=3u"Gold
G2=5u"Gold
G3=10u"Gold
G4=15u"Gold
G5=30u"Gold

Packing
A=Tray
T=Tube

S0=Gold Flash/Tin
S1=3u"Gold/Tin
S2=5u"Gold/Tin
S3=10u"Gold/Tin
S4=15u"Gold/Tin
S5=30u"Gold/Tin
SN=Tin



REV	DATE	MODIFICATION DESCRIPTION	CHANGE	APPROVE	OPERATION		DRAW	WEIXD	08/10/13	SCALE		PART NO.	TITLE:	Customer NO.
					Angle	± 3'				UNIT	mm			
A0	08/10/13	NEW			X.X	±0.40	DESIGN			1:1	A4	3522-282XXSX074X1	2.00mm MACHINED FEMALE HEADER DIAL ROW 180° H=2.80 L=7.4	
					X.XX	±0.25	CHECK				1/1			

WCON 维峰五金电子有限公司
 WAFER HARDWARE ELECTRONICS CO. LTD