

# HSPF

## TECHNICAL SPECS:

Current Rating: 1.0AMP  
 Contact Resistance: 10mΩ Max  
 Dielectric Strength: Min 500Vrms  
 Mechanical Life: Min 500 cycles  
 Mating Pin:  $\phi 0.38$  to  $\phi 0.50$ mm  
 Forces: (polished steel gauge  $\phi 0.41$ mm)  
 -Insertion: 0.5N typ. -Withdrawal: 0.2N typ.  
 Operation Temperature: -40°C to +105°C

Sleeve: Brass CuZn36Pb3(C360000)  
 Contact Clip(3 finger): BeCu(C17200)  
 Contact plating: Au or Sn over Ni  
 Insulator Material: PPS+30%G.F(UL94V-0)

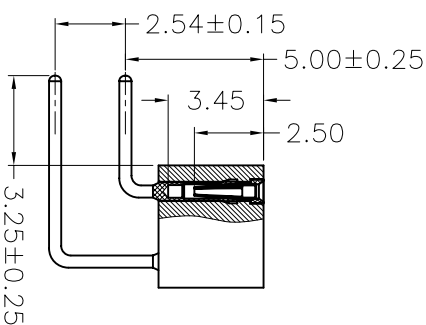
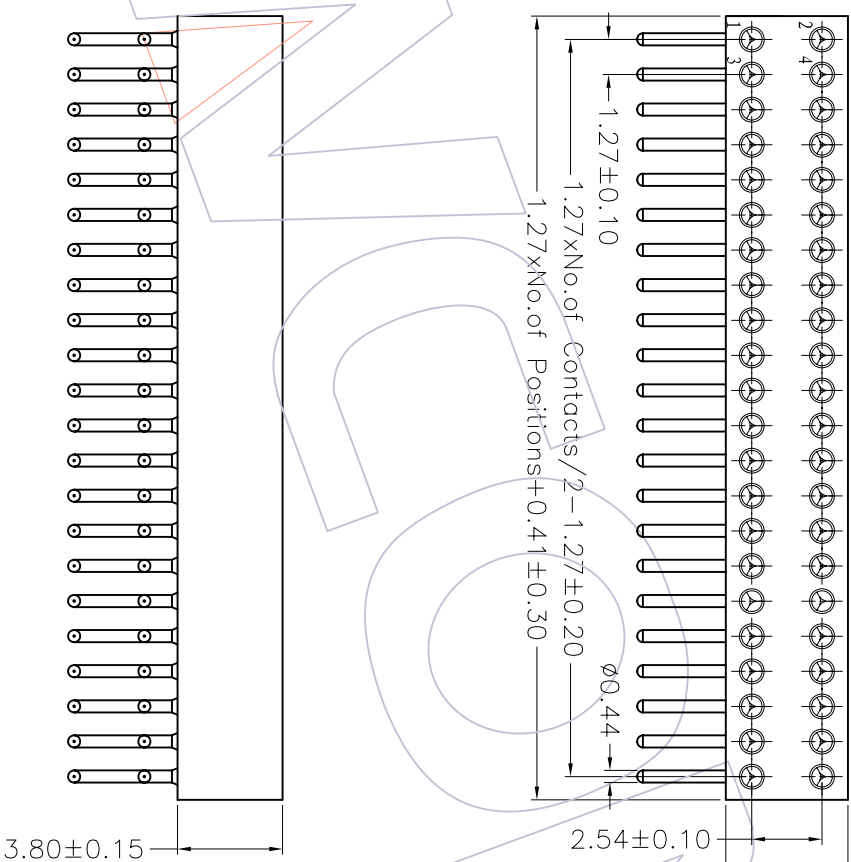
## Ordering Information

3525-382 XXX R XX 089 X 1

No. of Pin  
 2~50PIN

Contact Plating  
 G0=Gold Flash  
 G1=3u"Gold  
 G2=5u"Gold  
 G3=10u"Gold  
 G4=15u"Gold  
 G5=30u"Gold  
 S0=Gold Flash/Tin  
 S1=3u"Gold/Tin  
 S2=5u"Gold/Tin  
 S3=10u"Gold/Tin  
 S4=15u"Gold/Tin  
 S5=30u"Gold/Tin  
 SN=Tim

Packing  
 A=Tray  
 T=Tube



Recommended P.C.B Layout(Top Side)  
 (PCB BOARD TOLERANCE±0.05)

REV	DATE	MODIFICATION DESCRIPTION	CHANGE	APPROVE	OPERATION		DRAW	WEIXD	08/10/13	SCALE		PART NO.	TITLE:
					Angle	± 3'				UNIT	mm		
A0	08/10/13	NEW			X.X	±0.40	DESIGN			1:1	mm	3525-382XXX089X1	1.27x2.54mm MACHINED FEMALE HEADER DUAL ROW 90° H=3.80
					X.XX	±0.25	CHECK						
					X.XXX	±0.15							
					DM	TOL	APPROVE						

**WCON** 维峰五金电子有限公司  
 WAFE HARDWARE ELECTRONICS CO. LTD

3525-382XXX089X1

1.27x2.54mm MACHINED FEMALE HEADER  
 DUAL ROW 90° H=3.80