



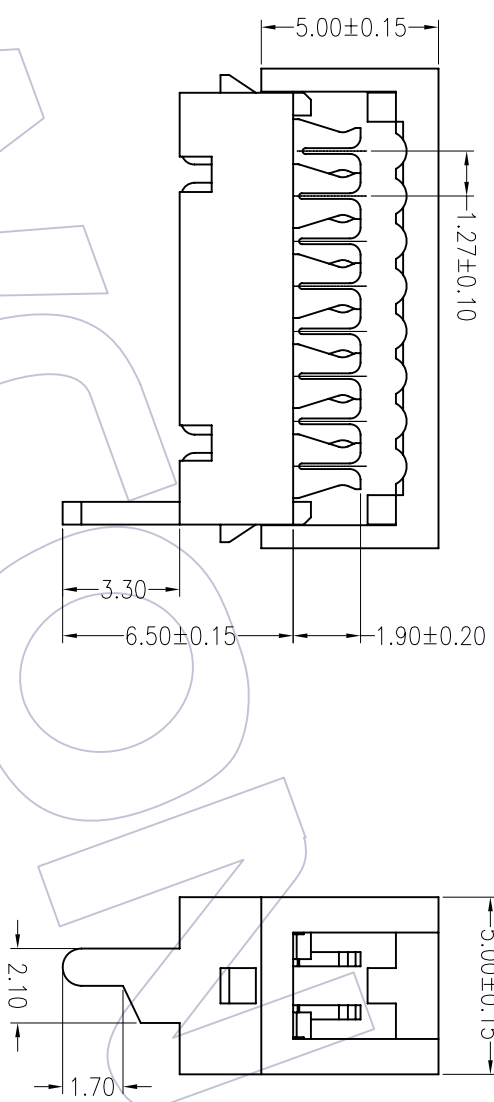
NOTES:

- Rated Current:1.0AMP
- Contact Resistance:20mΩ max
- Withstand Voltage:500V AC/DC
- Insulation Resistance:1000MΩ min
- Operation Temperature:-40℃ to +105℃
- Contact Material:Phosphor Bronze
- Contact Plating:Sn Over Ni
- Insulator Material:High Temperature Plastic UL94V-0

Ordering Information

3900-XX MI SN E N T 02

- No.of Pins
- 04P 12P
- 06P 14P
- 08P 16P
- 10P 18P
- 20P
- Contact Plating
- G0=Gold Flash
- G1=3u"Gold
- G2=5u"Gold
- G3=10u"Gold
- G4=15u"Gold
- G5=30u"Gold
- Insulator Material
- A=PBTF
- C=PA6T
- E=PA46
- Packing
- T=Tube
- S0=Gold Flash/Tin
- S1=3u"Gold/Tin
- S2=5u"Gold/Tin
- S3=10u"Gold/Tin
- S4=15u"Gold/Tin
- S5=30u"Gold/Tin
- SN=Tin



Specification & Ordering Information:

Circuit	Part No.	Dimension		Q'ty /Tube
		A	B	
04	3900-04MISNENT02	8.45	2.54	68
06	3900-06MISNENT02	10.99	5.08	52
08	3900-08MISNENT02	13.53	7.62	42
10	3900-10MISNENT02	16.07	10.16	36
12	3900-12MISNENT02	18.61	12.70	31
14	3900-14MISNENT02	21.15	15.24	27
16	3900-16MISNENT02	23.69	17.78	24
18	3900-18MISNENT02	26.23	20.32	22
20	3900-20MISNENT02	28.77	22.86	20

WCON 维峰五金电子有限公司
WAFE HARDWARE ELECTRONICS CO. LTD

PART NO. SEE TAB
TITLE: Micro Match IDC type Box

REV	DATE	MODIFICATION DESCRIPTION	CHANGE	APPROVE	OPERATION		DRAW	SCALE	SHEET	PROJ.
					Angle	± 3'				
A0	08/08/25	NEW			X.X	±0.40	William Chen	1:1	1/1	Customer NO.
					X.XX	±0.25		A4		
					X.XXX	±0.15				
					Dim	TOL				