



NOTES:

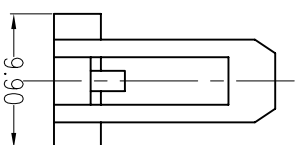
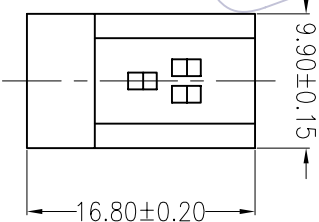
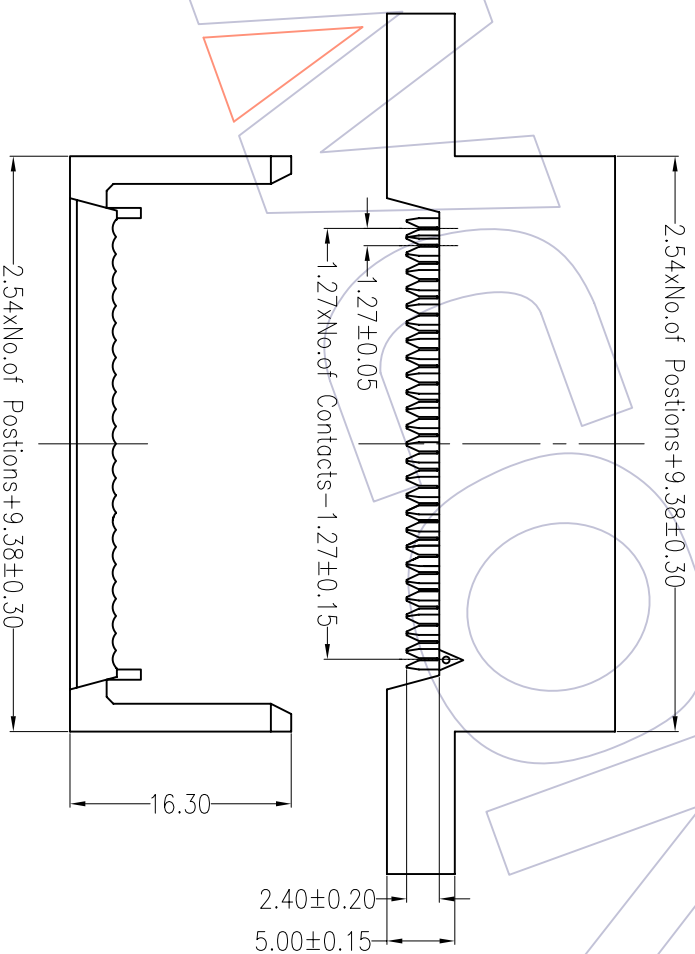
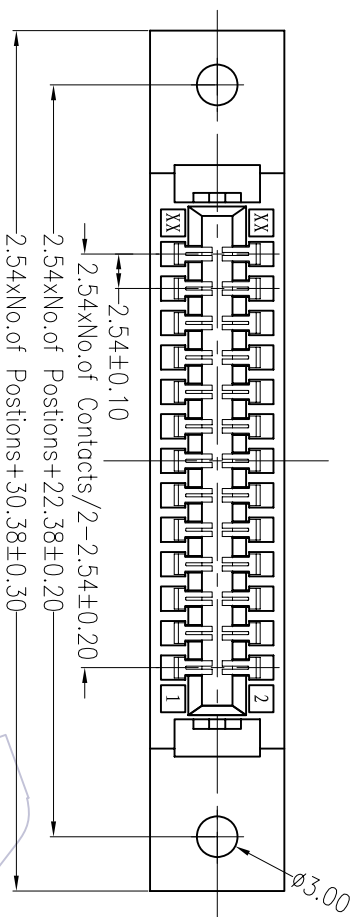
Current Rating:1.0A
 Voltage Rating:250V AC,DC
 Contact Resistance:20mΩ max
 Withstand Voltage:500V AC/minute
 Insulation Resistance:1000MΩ min
 Operation Temperature:-25°C to +85°C

Contact Material:Phosphor Bronze
 Contact plating:Au Over Ni
 Insulator Material:PBT+30%G.F.(UL94V-0)

Ordering Information

5260 - XX B P XX B W X 1

- | | | | | |
|-------------|----------------------|-------------------|--------------|-----------|
| No. of Pins | No. of Pins | Contact Plating | Color | Packaging |
| 10P 34P | A=With claspboard | G0=Gold Flash | B=Black | A=Tray |
| 14P 40P | B=Without claspboard | G1=3u"Gold | U=Blue | T=Tube |
| 16P 50P | | G2=5u"Gold | G=Grey(427C) | |
| 20P 60P | | G3=10u"Gold | E=Grey(413C) | |
| 26P 64P | | G4=15u"Gold | | |
| | | G5=30u"Gold | | |
| | | S0=Gold Flash/Tin | | |
| | | S1=3u"Gold/Tin | | |
| | | S2=5u"Gold/Tin | | |
| | | S3=10u"Gold/Tin | | |
| | | S4=15u"Gold/Tin | | |
| | | S5=30u"Gold/Tin | | |
| | | SN=Tin | | |



REV	DATE	MODIFICATION DESCRIPTION	CHANGE	APPROVE
A0	08/11/25	NEW		

OPERATION	DRAW	WEIXD	08.11.25
DESIGN	CHECK	APPROVE	

SCALE	1:1
UNIT	mm
SIZE	A4
SHEET	1/1
PROJ.	Customer NO.

WCON 维峰五金电子有限公司
 WAVE HARDWARE ELECTRONICS CO. LTD
 PART NO. 5260-XXBPXXWX1
 TITLE: CE SOCKET CONNECTOR 180°