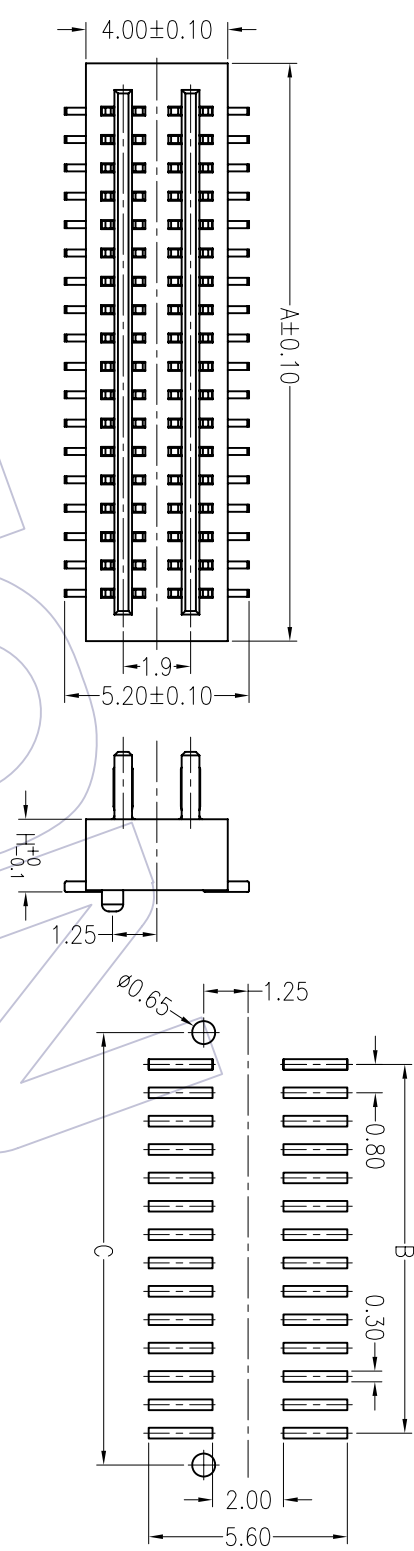


HSF

NOTES:

Rated Current:0.5AMP
 Rated Voltage:50V AC/DC
 Contact Resistance:30mΩ max
 Insulation Resistance:100MΩ min
 Operation Temperature:-20°C to +105°C
 Contact Material:Phosphor bronze
 Contact Plating:Au or Sn Over Ni
 Insulator Material:PA9T UL94V-0

Recommended P.C.B Layout(Top Side)
 (PCB BOARD TOLERANCE±0.05)



Ordering Information

3610 - P XX XX XX 0 1

- High No.of Pins Contact Plating
- G0=Gold Flash
- G1=3u"Gold
- G2=5u"Gold
- G3=10u"Gold
- G4=15u"Gold
- G5=30u"Gold
- S0=Gold Flash/Tin
- S1=3u"Gold/Tin
- S2=5u"Gold/Tin
- S3=10u"Gold/Tin
- S4=15u"Gold/Tin
- S5=30u"Gold/Tin
- SN=Tin

Total High	Dim	"H"
4.00	PLUG	SOCKET
4.50	1.00	3.00
5.00	1.00	3.50
5.50	2.00	3.50
6.00	2.00	4.00
6.50	2.00	4.50

Dimension antitheses list	Dimension antitheses list			Dimension antitheses list			
	A	B	C	A	B	C	
34P	15.50	12.80	14.60	10P	5.90	3.20	5.00
36P	16.30	13.60	15.40	12P	6.70	4.00	5.80
38P	17.10	14.40	16.20	14P	7.50	4.80	6.60
40P	17.90	15.20	17.00	16P	8.30	5.60	7.40
42P	18.70	16.00	17.80	18P	9.10	6.40	8.20
44P	19.50	16.80	18.60	20P	9.90	7.20	9.00
46P	20.30	17.60	19.40	22P	10.70	8.00	9.80
48P	21.10	18.40	20.20	24P	11.50	8.80	10.60
50P	21.90	19.20	21.00	26P	12.30	9.60	11.40
60P	25.90	23.20	25.00	28P	13.10	10.40	12.20
80P	33.90	31.20	33.00	30P	13.90	11.20	13.00
100P	41.90	39.20	41.00	32P	14.70	12.00	13.80

REV	DATE	MODIFICATION DESCRIPTION	CHANGE	APPROVE	OPERATION		DRAW		SCALE	PART NO.	TITLE:
					Angle	± 3'	DESIGN	CHECK			
A0	08/09/24	NEW			X.X	±0.20	Millium Class	08/09/24	1:1	3610-P-XXXXXXXX01	0.8mm BOARD TO BOARD PLUG CONNECTOR
					X.XX	±0.10			mm		
					X.XXX	±0.05			A4		
					Dim	TOL			1/1		
									PROJ.		Customer NO.

WCON 维峰五金电子有限公司
 WAFE HARDWARE ELECTRONICS CO. LTD