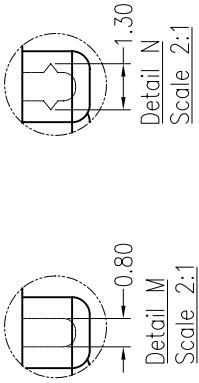
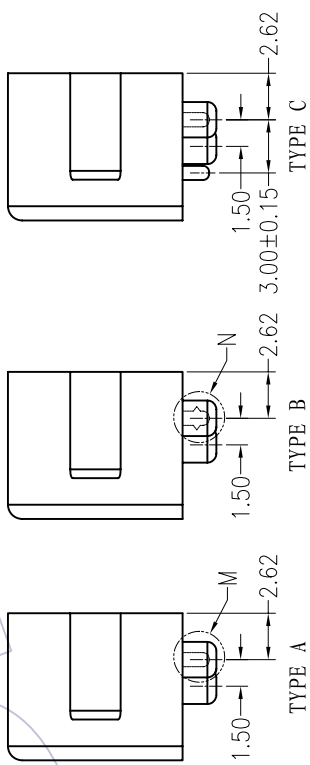
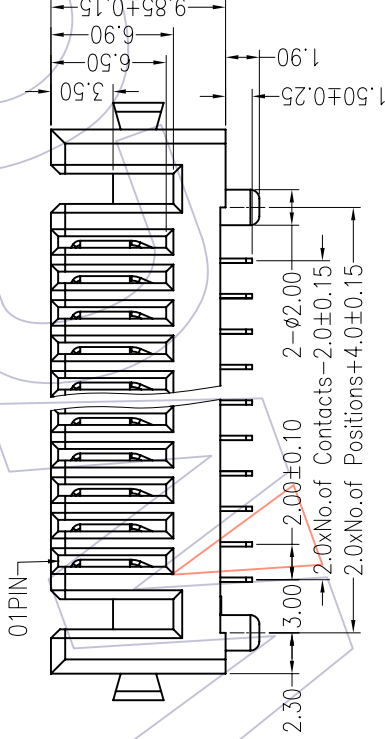
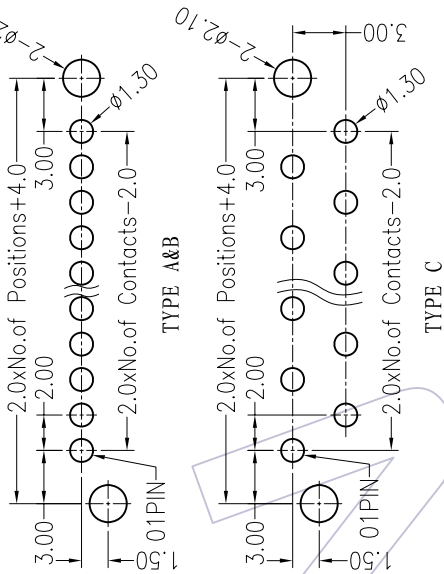


HSF

Recommended P.C.B Layout(Top Side) (PCB BOARD TOLERANCE±0.05)

NOTES:

- Rated Current:5.0AMP
- Contact Resistance:30mΩ max
- Withstand Voltage:500V AC/DC
- Insulation Resistance:1000MΩ min
- Operation Temperature:-40°C to +105°C
- Contact Material:Phosphor Bronze
- Contact Plating:Au or Sn Over Ni
- Insulator Material:PA6T+30%G.F UL94V-0



PART NO.	TYPE
4110-FXXN01DXX04	TYPE A
4110-FXXN01DXX05	TYPE B
4110-FXXN01DXX06	TYPE C

Ordering Information

4110-F XX N01 D XX 0 X

- No. of Pins per Row: 05-09
- Contact Plating: G0=Gold Flash, G1=3u"Gold, G2=5u"Gold, G3=10u"Gold, G4=15u"Gold, G5=30u"Gold, S0=Gold Flash/Tin, S1=3u"Gold/Tin, S2=5u"Gold/Tin, S3=10u"Gold/Tin, S4=15u"Gold/Tin, S5=30u"Gold/Tin
- Series No.: 4=Type A, 5=Type B, 6=Type C

REV	DATE	MODIFICATION DESCRIPTION	CHANGE	APPROVE	OPERATION	DRAW	SCALE	1:1	UNIT	mm	WAVE HARDWARE ELECTRONICS CO.,LTD
A0	08/09/26	NEW			X.X ±0.40, X.XXX ±0.25, X.XXX ±0.15, Angle ±.3°, DIM TOL	DESIGN, CHECK, APPROVE	08.09.26	1:1	mm	A4	WAVE HARDWARE ELECTRONICS CO.,LTD
											SEE TABLE
											2.0 BATTERY FEMALE H=9.85 W=8.3

WCON 维峰五金电子有限公司

WAVE HARDWARE ELECTRONICS CO.,LTD
 PART NO. SEE TABLE
 TITLE: 2.0 BATTERY FEMALE H=9.85 W=8.3
 Customer NO.