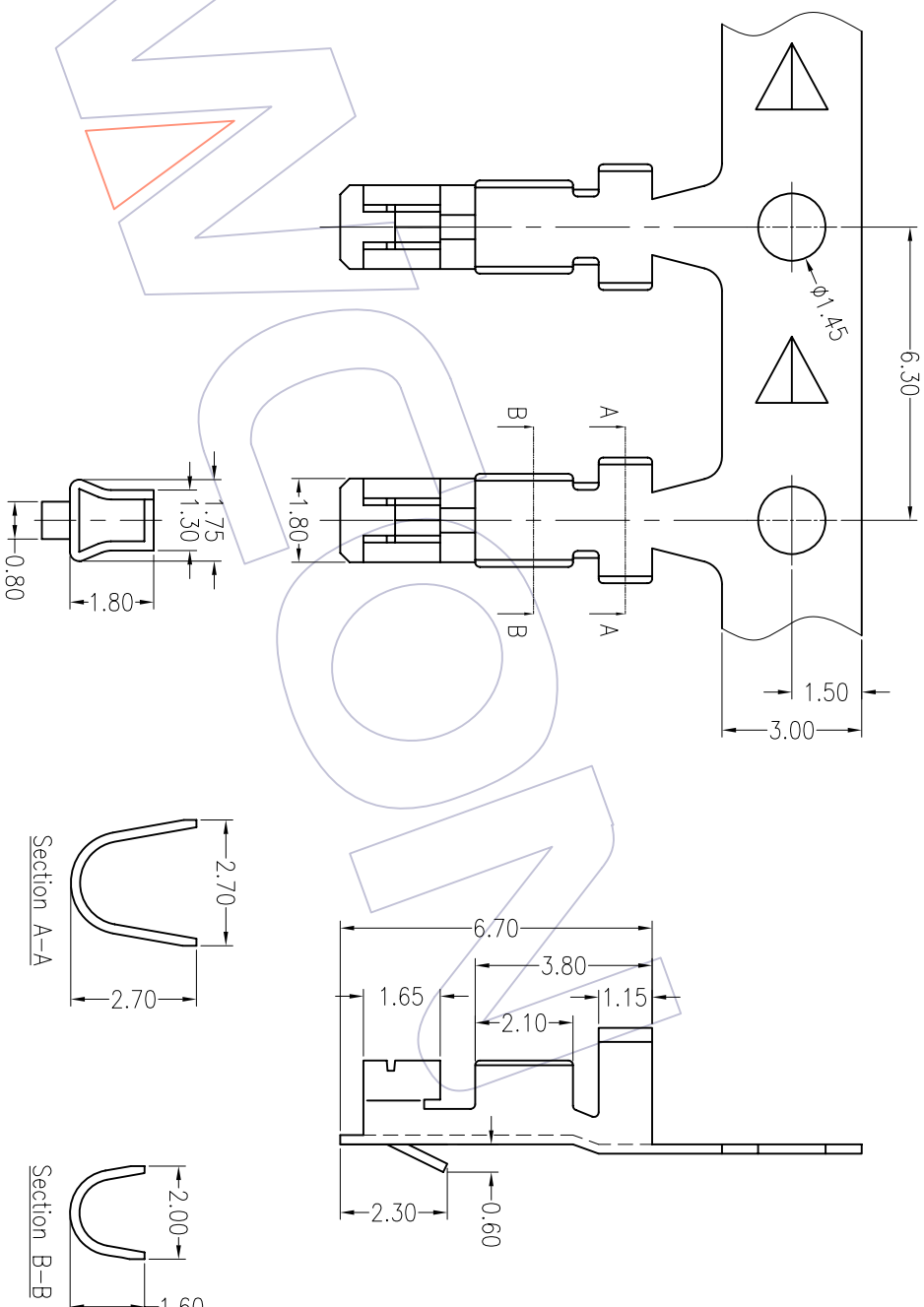


HSF

NOTES:
 Rating Voltage: 125V AC/DC
 Current Rating: 1.0AMP
 Contact Resistance: 20mΩ max
 Withstand Voltage: 500V AC/DC
 Insulation Resistance: 100MΩ min
 Operation Temperature: -25°C to +85°C



Ordering Information

WF 2508 - T P XX 0 1

- Contact Plating
- G0=Gold Flash
- G1=3u"Gold
- G2=5u"Gold
- G3=10u"Gold
- G4=15u"Gold
- G5=30u"Gold
- S0=Gold Flash/Tin
- S1=3u"Gold/Tin
- S2=5u"Gold/Tin
- S3=10u"Gold/Tin
- S4=15u"Gold/Tin
- S5=30u"Gold/Tin
- SN=Tin

Specification & Ordering Information:

Part No.	Thickness	Material	Finish	Wire Range
WF2508-TPG001	0.20	Phosphor bronze	Gold Flash	AWG#22~#28
WF2508-TPSN01	0.20	Phosphor bronze	Tin-Plating	AWG#22~#28

WCON 维峰五金电子有限公司
 WAVE HARDWARE ELECTRONICS CO.,LTD

OPERATION	DRAWN	2010mm Class	08.08.06	SCALE	1:1	PART NO.	SBE TAB
X.X	DESIGN			UNIT	mm		
X.XX	CHECK			SIZE	A4		
X.XXX	APPROVE			SHEET	1/1	TITLE:	2.50mm TERMINAL
Angle				PROJ.		Customer NO.	
± 2'							
± 0.10							
± 0.20							
± 0.30							

REV	DATE	MODIFICATION DESCRIPTION	CHANGE	APPROVE	DIM	TOL	APPROVE
A0	08/08/06	NEW					