

HSHF

NOTES:

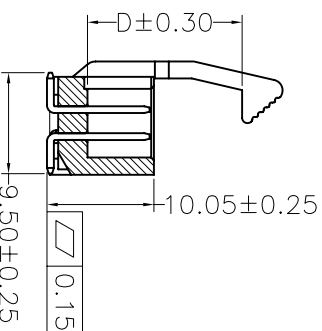
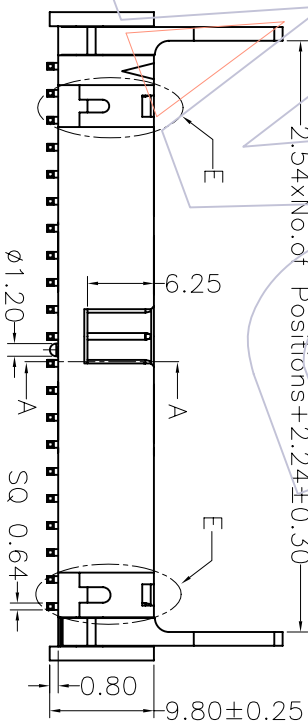
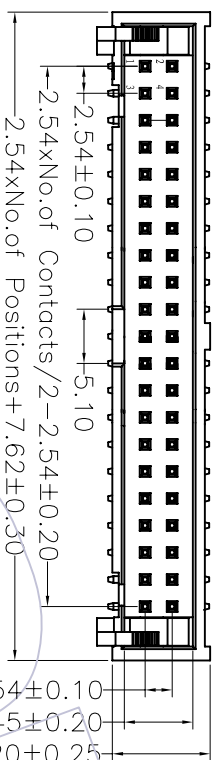
Current Rating: 3.0AMP
 Voltage Rating: 350V
 Contact Resistance: 20mΩ Max
 Insulation Resistance: 1000MΩ Min
 Withstand Voltage: 1000V AC/Minute
 Operation Temperature: -40°C to +105°C

Contact Material: Brass
 Contact plating: Sn or Au Over Ni
 Latch Material: Zinc Alloy
 Latch plating: Ni
 Insulator Material: PA6T+30%GF(UL94V-0)
 Above 26 Poles With "E" Profile.

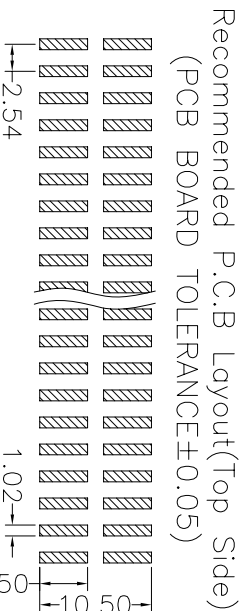
Ordering Information

3211-XXMXXBXXI

- | | | | | |
|-------------|-------------------|-----------------|----------------------|---------|
| No. of Pins | Contact Plating | Insulator Color | Latch Type | Packing |
| 06 26 | G0=Gold Flash | B=Black | L=Long Latch A=Tray | |
| 08 30 | G1=3u"Gold | U=Blue | S=Short Latch T=Tube | |
| 10 34 | G2=5u"Gold | G=Grey(427C) | | |
| 14 40 | G3=10u"Gold | E=Grey(413C) | | |
| 16 50 | G4=15u"Gold | | | |
| 20 60 | G5=30u"Gold | | | |
| 64 | S0=Gold Flash/Tin | | | |
| | S1=3u"Gold/Tin | | | |
| | S2=5u"Gold/Tin | | | |
| | S3=10u"Gold/Tin | | | |
| | S4=15u"Gold/Tin | | | |
| | S5=30u"Gold/Tin | | | |
| | SN=Tin | | | |



SECTION A-A



Dimension antitheses list	
PART NO	D
3211-XXMXXBLXI	14.55
3211-XXMXXBSXI	10.65

REV	DATE	MODIFICATION DESCRIPTION	CHANGE	APPROVE	OPERATION	DRAW	WEIXD	SCALE	PART NO.	SHEET	TITLE:
A0	08/05/12	NEW			XXX ±0.40 XXX ±0.25 XXX ±0.15 Angle ± 3'	DESIGN CHECK	08/05/12	1:5:1 mm A4	3211-XXMXXBLXI	1/1	2.54 ELECTOR HEADER SMT METAL LATCH H=9.8
REV	DATE	MODIFICATION DESCRIPTION	CHANGE	APPROVE	DIM	APPROVE		PROU.	Customer NO.		

WCON 维峰五金电子有限公司
 WAFER HARDWARE ELECTRONICS CO. LTD

SBE TAB