

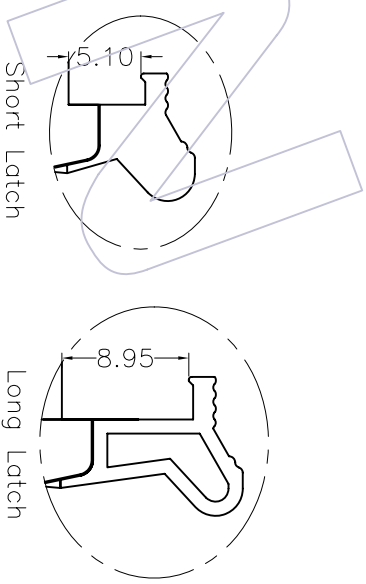
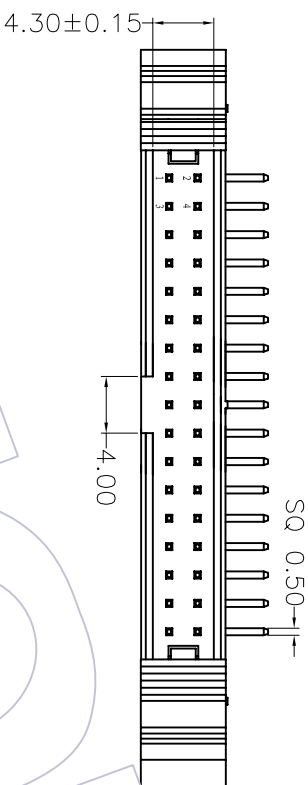
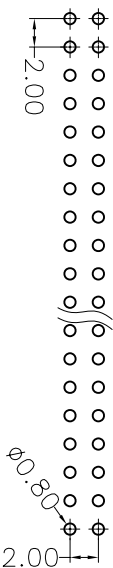
HSP

NOTES:

Current Rating: 1.5AMP
 Contact Resistance: 20mΩ max
 Withstand Voltage: 500V AC/DC
 Insulation Resistance: 1000MΩ min
 Operation Temperature: -40°C to +105°C

Contact Material: Brass
 Contact plating: Au or Sn Over Ni
 Insulator Material: PA6T+30%GF(UL94V-0)

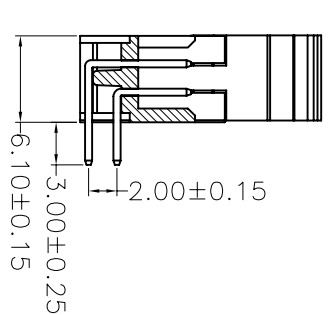
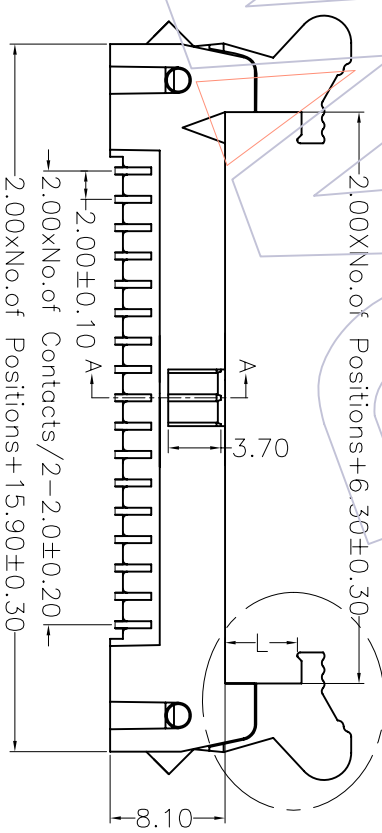
Recommended P.C.B Layout(Top Side)
 (PCB BOARD TOLERANCE±0.05)



Ordering Information

3220 - XX R XX B X X 1

No. of Pins	Contact Plating	Insulator Color	Latch type	Packing
08 30	G0=Gold Flash	B=Black	L=Long Latch	A=Tray
10 34	G1=3u"Gold	U=Blue	S=Short Latch	T=Tube
14 40	G2=5u"Gold	G=Grey(427C)		
16 44	G3=10u"Gold	F=Grey(413C)		
20 50	G4=15u"Gold			
24 60	G5=30u"Gold			
26 64	S0=Gold Flash/Tin			
68	S1=3u"Gold/Tin			
	S2=5u"Gold/Tin			
	S3=10u"Gold/Tin			
	S4=15u"Gold/Tin			
	S5=30u"Gold/Tin			
	SN=Tin			



REV	DATE	MODIFICATION DESCRIPTION	CHANGE	APPROVE	OPERATION	DRAW	WEIXD	SCALE	UNIT	PART NO.	TITLE:
A0	08/05/10	NEW			X.X ±0.40	DESIGN	08/05/10	2:1	mm	3220-XXXXXX1	2.00 EJECTOR HEADER 90°
					X.XX ±0.25	CHECK			A4		
					Angle ± 3'	APPROVE			1/1		Customer NO.

WCON 维峰五金电子有限公司
 WAVE HARDWARE ELECTRONICS CO. LTD