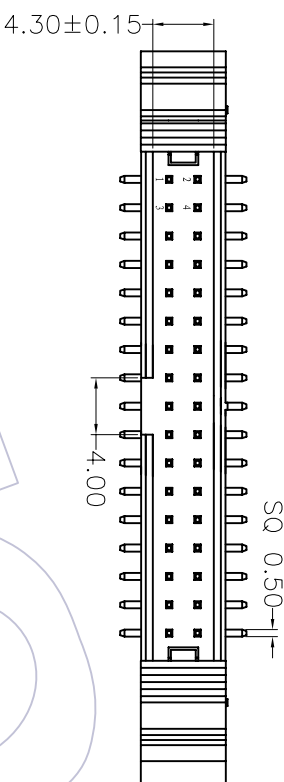


HSP

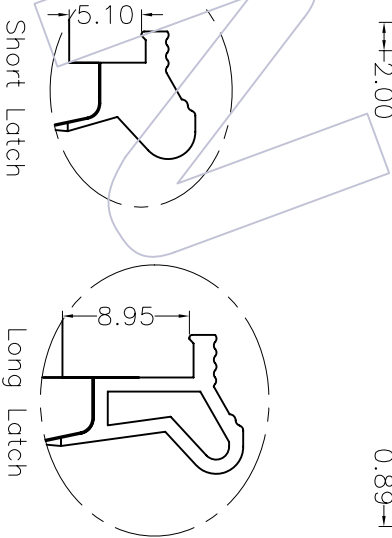
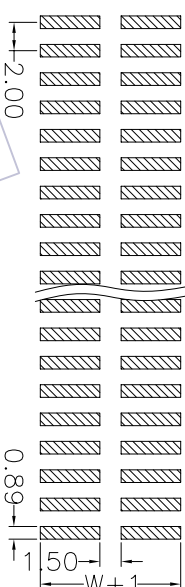
NOTES:

Current Rating: 1.5AMP
 Contact Resistance: 20mΩ max
 Withstand Voltage: 500V AC/DC
 Insulation Resistance: 1.000MΩ min
 Operation Temperature: -40°C to +105°C

Contact Material: Brass
 Contact plating: Au or Sn Over Ni
 Insulator Material: PA6T+30%GF(UL94V-0)



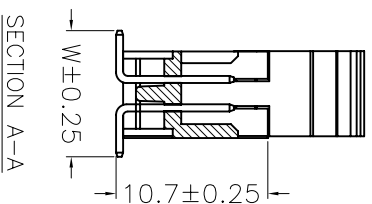
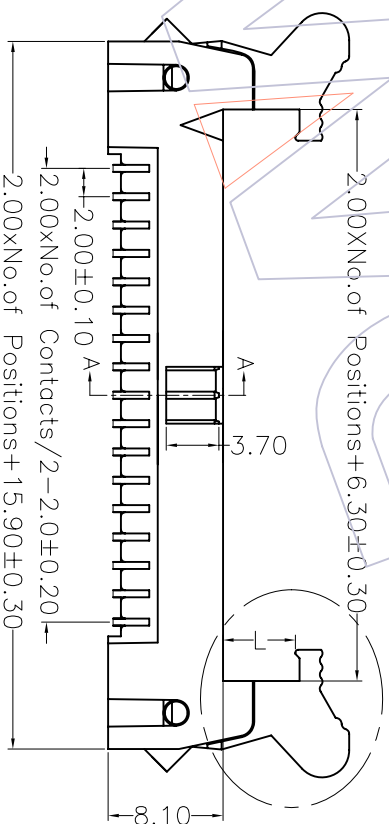
Recommended P.C.B Layout(Top Side)
 (PCB BOARD TOLERANCE±0.05)



Ordering Information

3220 - XX M XX B X X 1

- | | | | | |
|-------------|-------------------|-----------------|---------------|---------|
| No. of Pins | Contact Plating | Insulator Color | Latch type | Packing |
| 08 30 | G0=Gold Flash | B=Black | L=Long Latch | A=Tray |
| 10 34 | G1=3u"Gold | U=Blue | S=Short Latch | T=Tube |
| 14 40 | G2=5u"Gold | G=Grey(427C) | | |
| 16 44 | G3=10u"Gold | E=Grey(413C) | | |
| 20 50 | G4=15u"Gold | | | |
| 24 60 | G3=30u"Gold | | | |
| 26 64 | S0=Gold Flash/Tin | | | |
| 68 | S1=3u"Gold/Tin | | | |
| | S2=5u"Gold/Tin | | | |
| | S3=10u"Gold/Tin | | | |
| | S4=15u"Gold/Tin | | | |
| | S5=30u"Gold/Tin | | | |
| | SN=Tin | | | |



SECTION A-A

Dimension antitheses list	
ITEM	W
Standard	8.90
Alternate	

REV	DATE	MODIFICATION DESCRIPTION	CHANGE	APPROVE	OPERATION	DRAW	WEIXD	SCALE	PART NO.	TITLE:
A0	08/05/10	NEW			OPERATION X.X ±0.40 X.XX ±0.25 X.XXX ±0.15 Angle ± 3'	DESIGN CHECK	08/05/10	2:1 mm A4	3220-XXMXXBXX1	2.00 EJECTOR HEADER SMT

WCON 维峰五金电子有限公司
 WAFER HARDWARE ELECTRONICS CO. LTD

3220-XXMXXBXX1

2.00 EJECTOR HEADER SMT