

HSF

NOTES:

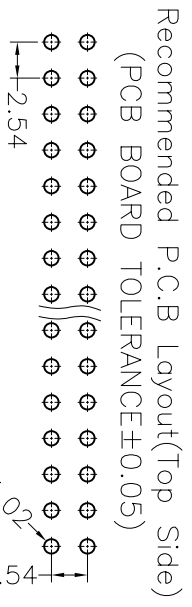
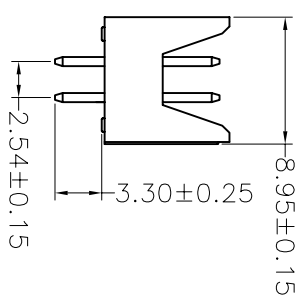
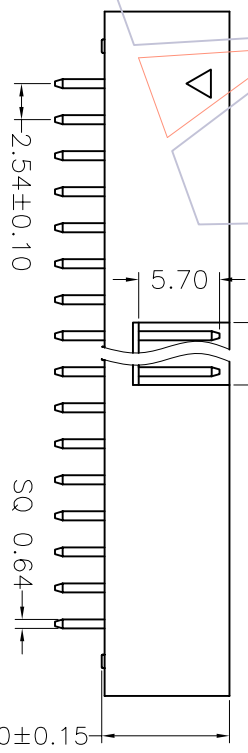
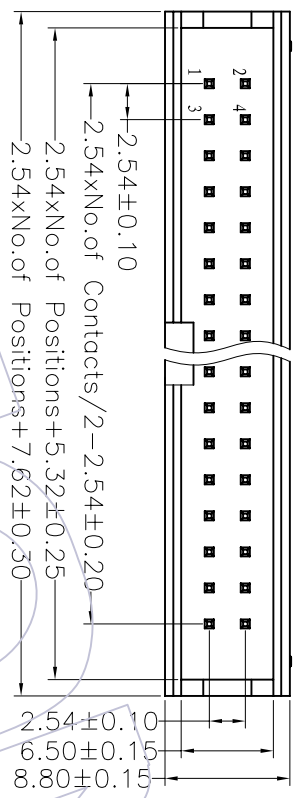
Current Rating:3AMP
 Contact Resistance:20mΩ max
 Withstand Voltage:500V AC/DC
 Insulation Resistance:1000MΩ min
 Operation Temperature:-40℃ to +105℃

Contact Material:Brass
 Contact plating:Au or Sn Over Ni
 Insulator Material:PBT/PA6T+30%G.F(UL94V-0)

Ordering Information

3110-XX S XX B K00 X2

- | | | | |
|-------------|-------------------|-----------------|----------|
| No. of Pins | Contact Plating | Color Insulator | Packing: |
| 34P | G0=Gold Flash | B=Black | A=Tray |
| 40P | G1=3u"Gold | U=Blue | T=Tube |
| | G2=5u"Gold | G=Gray(427C) | |
| | G3=10u"Gold | E=Gray(413C) | |
| | G4=15u"Gold | | |
| | G5=30u"Gold | | |
| | S0=Gold Flash/Tin | | |
| | S1=3u"Gold/Tin | | |
| | S2=5u"Gold/Tin | | |
| | S3=10u"Gold/Tin | | |
| | S4=15u"Gold/Tin | | |
| | S5=30u"Gold/Tin | | |
| | SN=Tin | | |



REV	DATE	MODIFICATION DESCRIPTION	CHANGE	APPROVE	OPERATION	DRAW	WEIXD	SCALE	PART NO.	TITLE:
A0	08/05/08	NEW			XXX ±0.40	DESIGN	08/05/08	2:1	3110-XXSXXBK00X2	2.54 BOX HEADER 180° H=9.0(V TYPE)
					XXX ±0.25	CHECK		mm		
					XXX ±0.15	CHECK		A4		
					Angle ± 3'	APPROVE		1/1		
					DIM	PROJ.		Customer NO.		

WCON 维峰五金电子有限公司
 WAFE HARDWARE ELECTRONICS CO. LTD