

# HSF

**NOTES:**

Current Rating:1.5AMP  
 Contact Resistance:20mΩ max  
 Withstand Voltage:500V AC/DC  
 Insulation Resistance:1000MΩ min  
 Operation Temperature:-40°C to +105°C

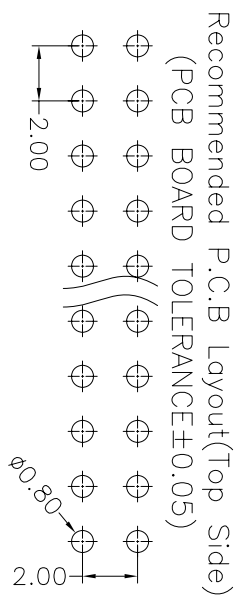
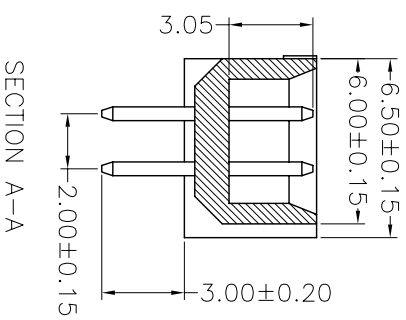
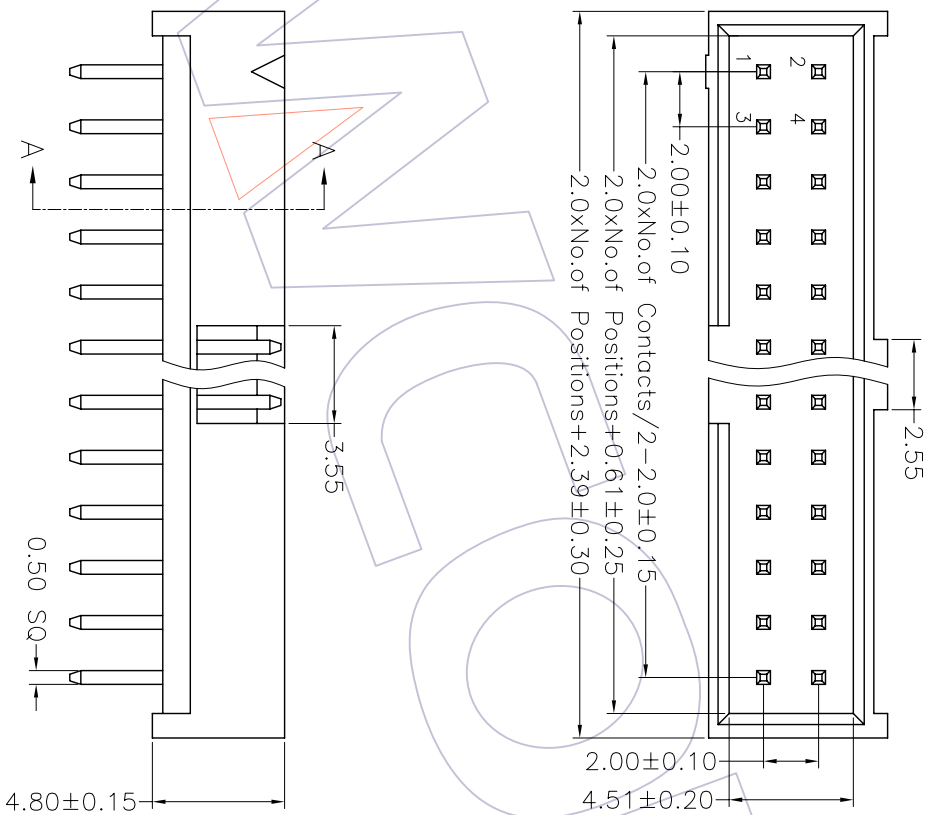
Contact Material:Brass  
 Contact plating:Au or Sn Over Ni  
 Insulator Material:LCF+30%GF(UL94V-0)

## Ordering Information

3124-XX S XX B K00 X 2

No.of Pins	Contact Plating	Color Insulator	Packing
10 30	G0=Gold Flash	B=Black	A=Tray
14 34	G1=3u"Gold	U=Blue	T=Tube
16 40	G2=5u"Gold	W=White	
20 44	G3=10u"Gold		
24 50	G4=15u"Gold		
26 60	G5=30u"Gold		

S0=Gold Flash/Tin  
 S1=3u"Gold/Tin  
 S2=5u"Gold/Tin  
 S3=10u"Gold/Tin  
 S4=15u"Gold/Tin  
 S5=30u"Gold/Tin  
 SN=Tin



REV	DATE	MODIFICATION DESCRIPTION	CHANGE	APPROVE	OPERATION	DRAW	WEIXD	SCALE	PART NO.
A0	08/05/06	NEW			XX ±0.40	DESIGN	08/05/06	4:1	3124-XXSXXBK00X2
					XXX ±0.25	CHECK		mm	2.00 BOX HEADER 180° H=4.8
					XXXX ±0.15	APPROVE		A4	SMTEC(SHORT TYPE)
					Angle ± 3'			1/1	
					DIM TOL			Customer NO.	

**WCON** 维峰五金电子有限公司  
 WAFE HARDWARE ELECTRONICS CO. LTD