

# HSF

**NOTES:**

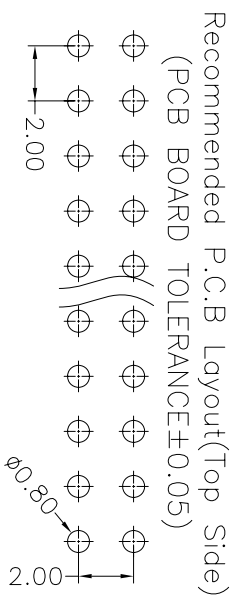
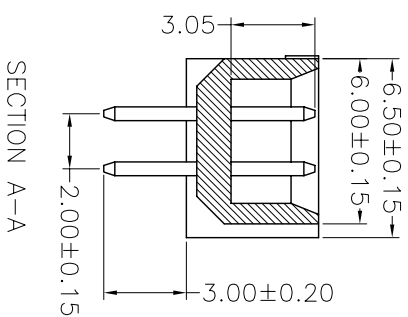
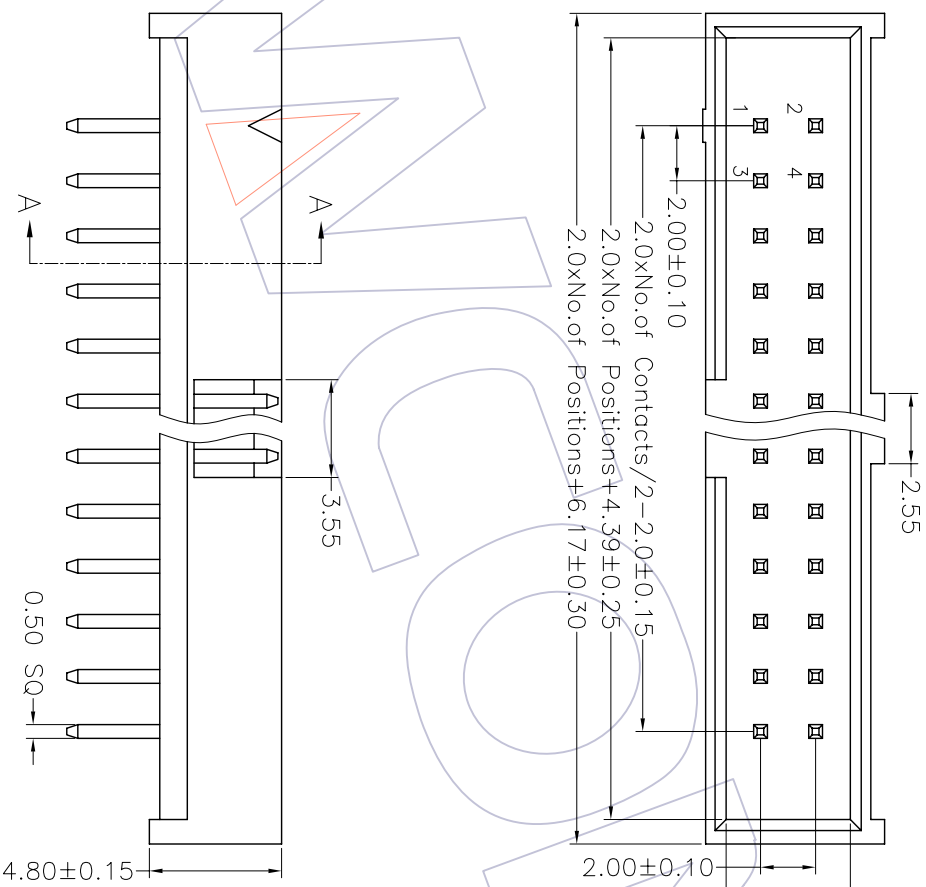
Current Rating: 1.5AMP  
 Contact Resistance: 20mΩ max  
 Withstand Voltage: 500V AC/DC  
 Insulation Resistance: 1000MΩ min  
 Operation Temperature: -40°C to +105°C

Contact Material: Brass  
 Contact plating: Au or Sn Over Ni  
 Insulator Material: LCP + 30%GF (UL94V-0)

## Ordering Information

3124-XX S XX BK00 X 1

- |             |                   |                 |         |
|-------------|-------------------|-----------------|---------|
| No. of Pins | Contact Plating   | Color Insulator | Packing |
| 10 30       | G0=Gold Flash     | B=Black         | A=Tray  |
| 14 34       | G1=3u"Gold        | U=Blue          | T=Tube  |
| 16 40       | G2=5u"Gold        | W=White         |         |
| 20 44       | G3=10u"Gold       |                 |         |
| 24 50       | G4=15u"Gold       |                 |         |
| 26 60       | G5=30u"Gold       |                 |         |
|             | S0=Gold Flash/Tin |                 |         |
|             | S1=3u"Gold/Tin    |                 |         |
|             | S2=5u"Gold/Tin    |                 |         |
|             | S3=10u"Gold/Tin   |                 |         |
|             | S4=15u"Gold/Tin   |                 |         |
|             | S5=30u"Gold/Tin   |                 |         |
|             | SN=Tin            |                 |         |



REV	DATE	MODIFICATION DESCRIPTION	CHANGE	APPROVE	OPERATION		DRAW	WEIXD	08/05/06	SCALE		PART NO.	TITLE:
					XX	±0.40				UNIT	4:1		
A0	08/05/06	NEW			XXX	±0.25	DESIGN			mm	A4	3124-XXSXXBK00X1	2.00 BOX HEADER 180° H=4.8 SAMTEC (LONG TYPE)
REV	DATE	MODIFICATION DESCRIPTION	CHANGE	APPROVE	XXX	±0.15	CHECK			mm	A4		
					Angle	± 3'	APPROVE						
					DIM	TOL							

**WCON** 维峰五金电子有限公司  
 WAVE HARDWARE ELECTRONICS CO., LTD

PART NO. 3124-XXSXXBK00X1

TITLE: 2.00 BOX HEADER 180° H=4.8 SAMTEC (LONG TYPE)

Customer NO.