



NOTES:

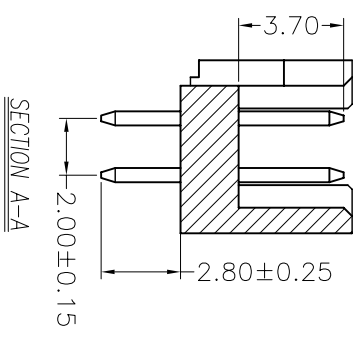
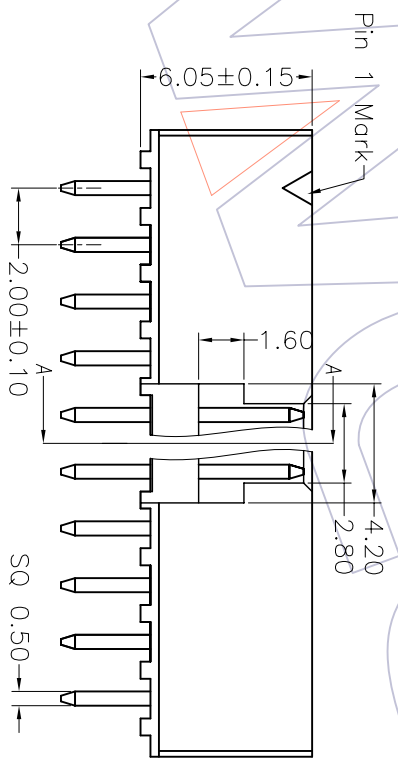
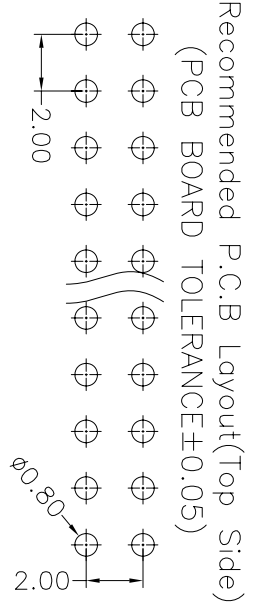
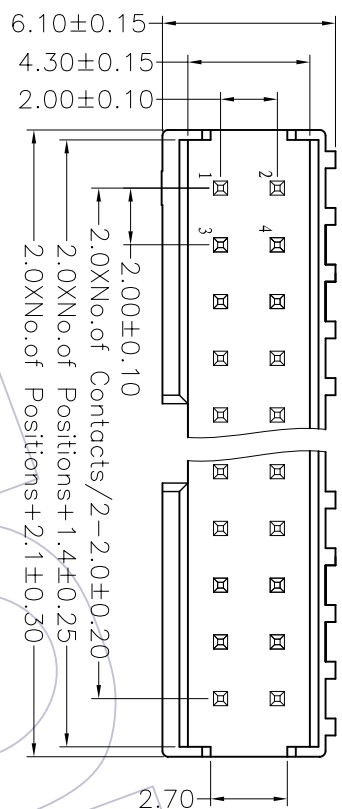
Current Rating:1.5AMP
 Contact Resistance:20mΩ max
 Withstand Voltage:500V AC/DC
 Insulation Resistance:1000MΩ min
 Operation Temperature:-40℃ to +105℃

Contact Material:Brass
 Contact plating: Au or Sn Over Ni
 Insulator Material:PA6T+30%GF(UL94V-0)

Ordering Information

3122-XX S XX BK00 X 1

- | | | | |
|-------------|-------------------|-----------------|-----------|
| No. of Pins | Contact Plating | Color Insulator | Packaging |
| 10 30 | G0=Gold Flash | B=Black | A=Tray |
| 14 34 | G1=3u"Gold | U=Blue | T=Tube |
| 16 40 | G2=5u"Gold | W=White | |
| 20 44 | G3=10u"Gold | | |
| 24 50 | G4=15u"Gold | | |
| 26 60 | G5=30u"Gold | | |
| | S0=Gold Flash/Tin | | |
| | S1=3u"Gold/Tin | | |
| | S2=5u"Gold/Tin | | |
| | S3=10u"Gold/Tin | | |
| | S4=15u"Gold/Tin | | |
| | S5=30u"Gold/Tin | | |
| | SN=Tim | | |



REV	DATE	MODIFICATION DESCRIPTION	CHANGE	APPROVE	OPERATION	DRAW	WEIXD	SCALE	PART NO.
A0	08/05/06	NEW			X.X ±0.40	DESIGN	08/05/06	4:1	3122-XXSXXBK00X1
					X.XX ±0.25	CHECK		mm	2.00 BOX HEADER 180° H=6.10 FCI TYPE
					X.XXX ±0.15			A4	
					Angle ± 3'	APPROVE		1/1	Customer NO.
					DIM	PROJ.			
1	2	3	4	5	6	7	8	9	10

WCON 维峰五金电子有限公司
 WAFER HARDWARE ELECTRONICS CO.,LTD