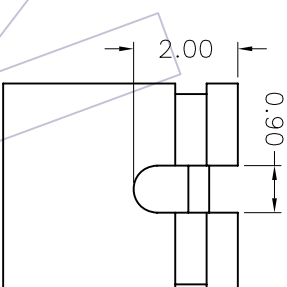
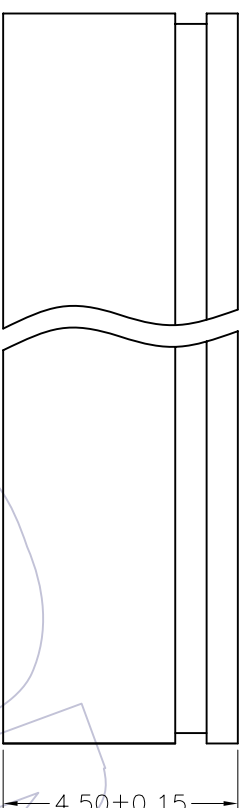


# HSP

## TECHNICAL SPECS:

Current Rating:1.5AMP  
 Contact Resistance:20mΩ Max  
 Insulation Resistance:500MΩ Min  
 Withstanding Voltage:1000V AC/Minute  
 Operation Temperature:-40°C to +105°C

Contact Material:Phosphor bronze  
 Contact plating:Au or Sn over Ni  
 Insulator Material:PBTF+30%G.F(UL94V-0)

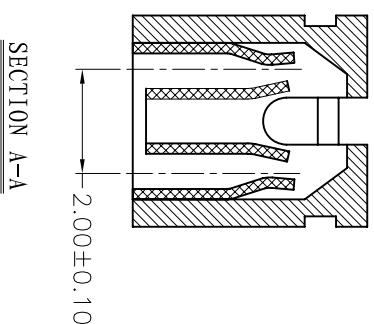
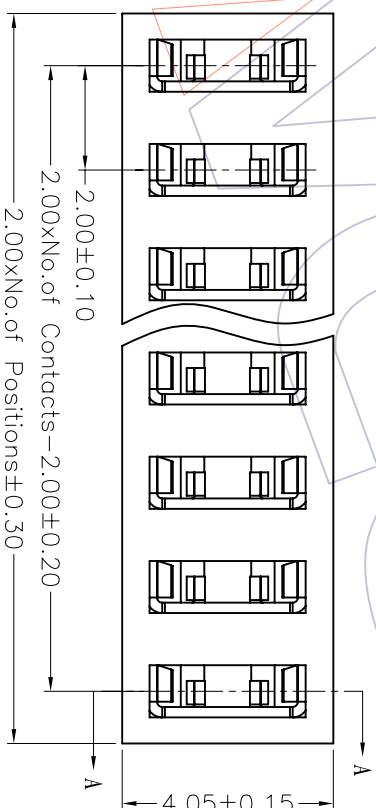


## Ordering Information

3721 - 45 XX O XX X 01

No.of Body Housing shape Contact Plating Colour  
 Connect O=open B=Black  
 C=close R=Red  
 Y=Yellow

G0=Gold Flash  
 G1=3u"Gold  
 G2=5u"Gold  
 G3=10u"Gold  
 G4=15u"Gold  
 G5=30u"Gold  
 S0=Gold Flash/Ni  
 S1=3u"Gold/Ni  
 S2=5u"Gold/Ni  
 S3=10u"Gold/Ni  
 S4=15u"Gold/Ni  
 S5=30u"Gold/Ni  
 SN=Tin



OPERATION	DRAW	WEIXD	08/10/29	SCALE	1:1
X.X	DESIGN			UNIT	mm
X.XX	CHECK			SIZE	A4
X.XXX	APPROVE			SHEET	1/1
Angle				PROJ.	Customer NO.
± 3'					
DIM					
TOL					

**WCON** 维峰五金电子有限公司  
 WAVE HARDWARE ELECTRONICS CO.,LTD

PART NO. 3721-45XXXXXX01

TITLE: 2.00mm MINI JUMPER BODY CONNECT OPEN TYPE

REV	DATE	MODIFICATION DESCRIPTION	CHANGE	APPROVE
A0	08/10/29	NEW		