

# HSP

## TECHNICAL SPECS:

Current Rating:1.5AMP  
Contact Resistance:20mΩ Max  
Insulation Resistance:500MΩ Min  
Withstanding Voltage:1000V AC/Minute  
Operation Temperature:-40°C to +105°C

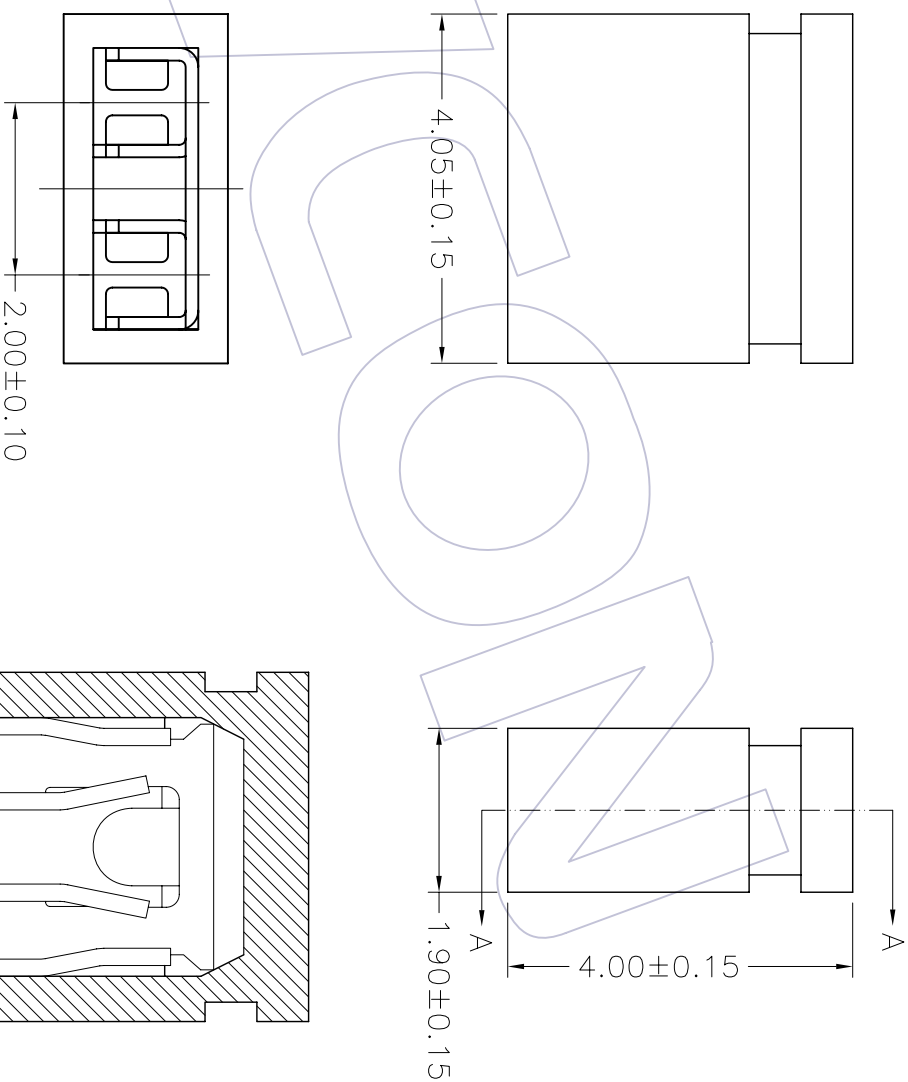
Contact Material:Phorpos bronze  
Contact plating:Au or Sn over Ni  
Insulator Material:PBT+30%G.F.(UL94V-0)

## Ordering Information

3711 - 40 01 C **XX** **X** 0 1

Housing shape  
O=open  
C=close

Contact Plating Colour  
G0=Gold Flash B=Black  
G1=3u"Gold R=Red  
G2=5u"Gold Y=Yellow  
G3=10u"Gold  
G4=15u"Gold  
G5=30u"Gold  
S0=Gold Flash/Ni  
S1=3u"Gold/Ni  
S2=5u"Gold/Ni  
S3=10u"Gold/Ni  
S4=15u"Gold/Ni  
S5=30u"Gold/Ni  
SN=Tin



SECTION A-A

REV	DATE	MODIFICATION DESCRIPTION	CHANGE	APPROVE	OPERATION	DRAW	WEIXD	08/10/29	SCALE	UNIT	PART NO.	TITLE:
A0	08/10/29	NEW			X.X ±0.30	DESIGN			1:1	mm	3711-4001CXXX01	2.00mm MINI JUMPER CLOSE TYPE
					X.XX ±0.25	CHECK			A4	1/1		
					Angle ± .3°	APPROVE			PROJ.			
					DIM TOL						Customer NO.	

**WCON** 维峰五金电子有限公司  
WAVE HARDWARE ELECTRONICS CO.,LTD

3711-4001CXXX01

2.00mm MINI JUMPER CLOSE TYPE