

HSP

TECHNICAL SPECS:

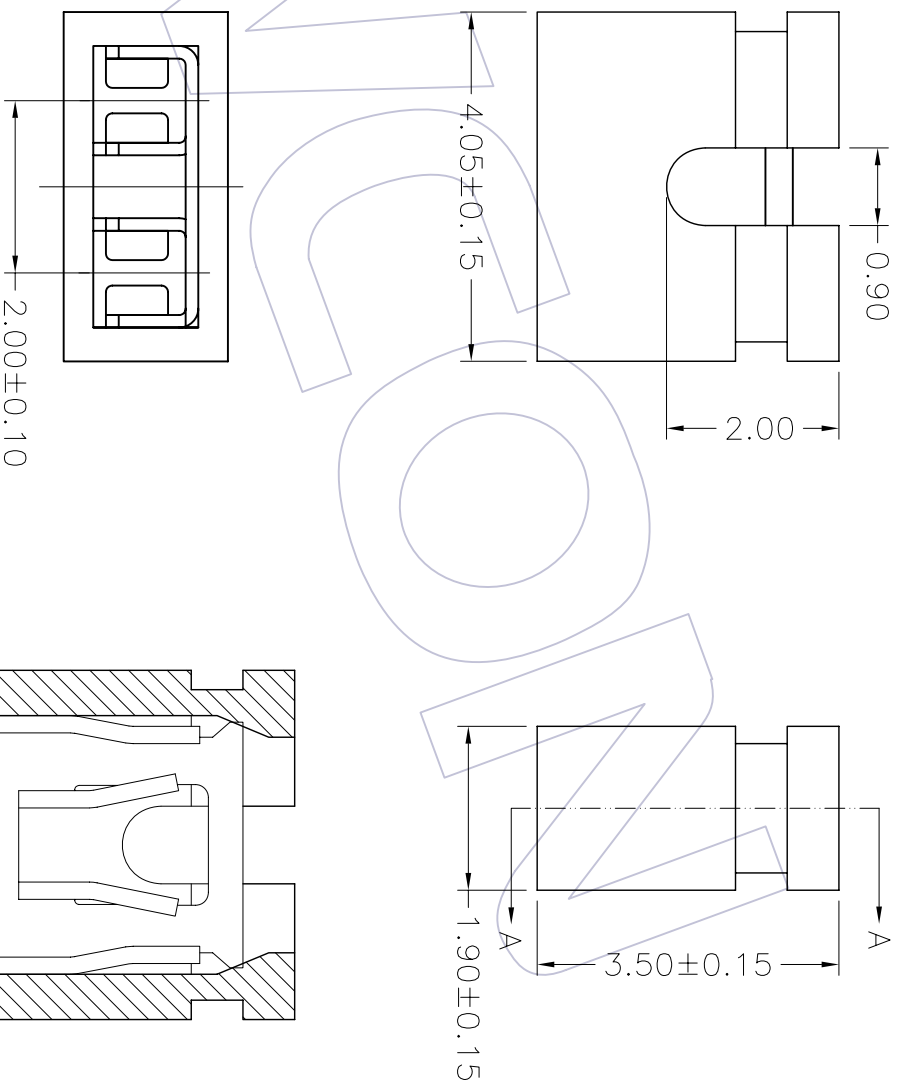
Current Rating: 1.5AMP
Contact Resistance: 20mΩ Max
Insulation Resistance: 500MΩ Min
Withstanding Voltage: 1000V AC/Minute
Operation Temperature: -40°C to +105°C
Contact Material: Phosphor bronze
Contact plating: Au or Sn over Ni
Insulator Material: PBT+30%G.F.(UL94V-0)

Ordering Information

3711 - 35 01 Q XX X 01

Housing shape
O=open
C=close

Contact Plating Colour
G0=Gold Flash B=Black
G1=3u"Gold R=Red
G2=5u"Gold Y=Yellow
G3=10u"Gold
G4=15u"Gold
G5=30u"Gold
S0=Gold Flash/Ni
S1=3u"Gold/Ni
S2=5u"Gold/Ni
S3=10u"Gold/Ni
S4=15u"Gold/Ni
S5=30u"Gold/Ni
SN=Tin



SECTION A-A

REV	DATE	MODIFICATION DESCRIPTION	CHANGE	APPROVE	OPERATION		DRAW		WEIXD	08/10/29	SCALE		PART NO.	TITLE:	Customer NO.
											UNIT	mm			
A0	08/10/29	NEW			X.X	±0.30	DESIGN				1:1	A4	3711-35010XXX01	2.00mm MINI JUMPER OPEN TYPE	
					X.XX	±0.25	CHECK					1/1			
					X.XXX	±0.15	APPROVE								
					Angle	± 3'									
					DIM	TOL									

WCON 维峰五金电子有限公司
WAVE HARDWARE ELECTRONICS CO. LTD

3711-35010XXX01

2.00mm MINI JUMPER OPEN TYPE