

HSPF

TECHNICAL SPECS:

Current Rating:1.0AMP
Contact Resistance:20m Ω Max
Insulation Resistance:500M Ω Min
Withstanding Voltage:1000V AC/Minute
Operation Temperature:-40°C to +105°C

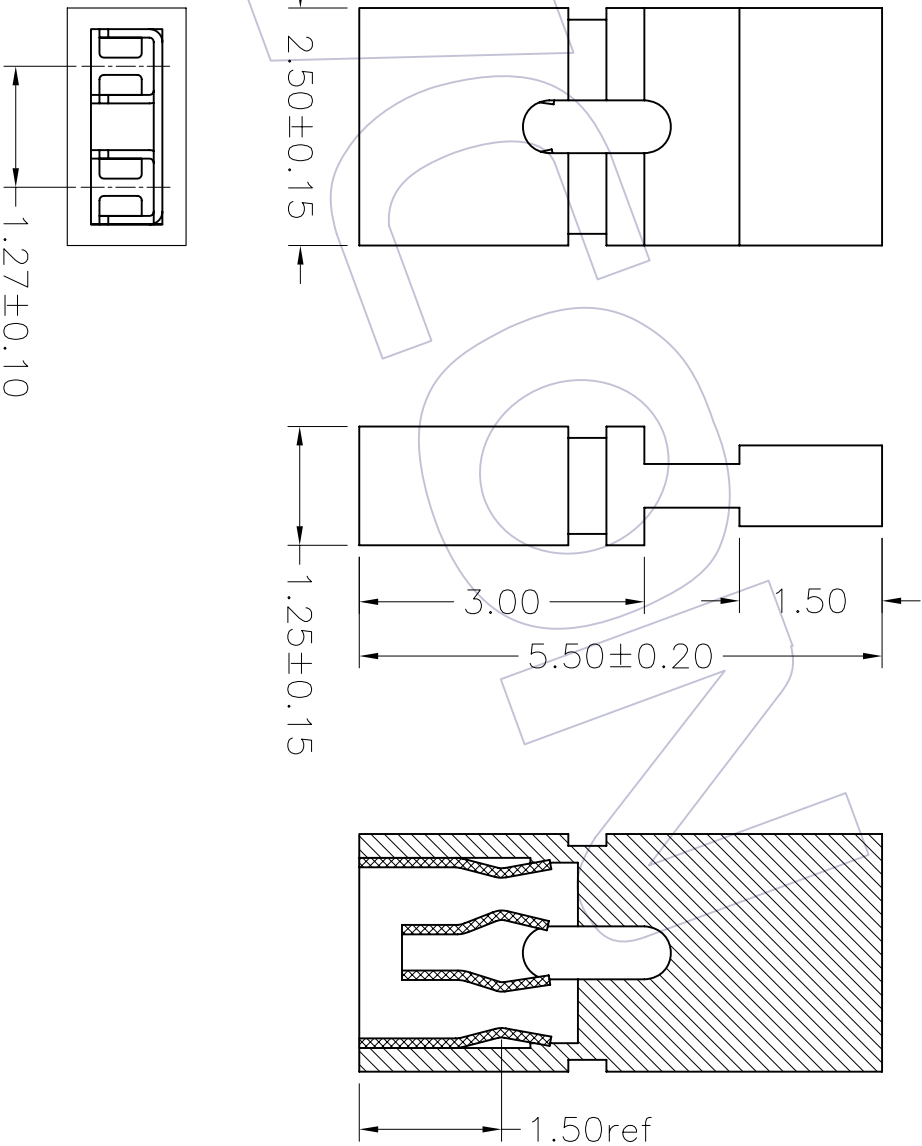
Contact Material:Phorpos bronze
Contact plating:Au or Sn over Ni
Insulator Material:PBT+30%G.F.(UL94V-0)

Ordering Information

3732 - 55 01 Q XX X 01

Housing shape
O=open
C=close

Contact Plating Colour
G0=Gold Flash B=Black
G1=3u"Gold R=Red
G2=5u"Gold Y=Yellow
G3=10u"Gold
G4=15u"Gold
G5=30u"Gold
S0=Gold Flash/Ni
S1=3u"Gold/Ni
S2=5u"Gold/Ni
S3=10u"Gold/Ni
S4=15u"Gold/Ni
S5=30u"Gold/Ni
SN=Tin



REV	DATE	MODIFICATION DESCRIPTION	CHANGE	APPROVE	OPERATION		DRAW		WEIXD	08/10/29	SCALE		PART NO.	TITLE:
					XXX	±0.30	DESIGN	UNIT			1:1	mm		
A0	08/10/29	NEW			XXX	±0.25	CHECK	CHECK			1/1	3732-55010XXX01	1.27mm MINI JUMPER OPEN TYPE	
REV	DATE	MODIFICATION DESCRIPTION	CHANGE	APPROVE	Angle	± 3'	APPROVE	PROJ.	Customer NO.					

WCON 维峰五金电子有限公司
WAFE HARDWARE ELECTRONICS CO.,LTD