

# HSPF

## TECHNICAL SPECS:

Current Rating: 1.0AMP  
Contact Resistance: 20mΩ Max  
Insulation Resistance: 500MΩ Min  
Withstanding Voltage: 1000V AC/Minute  
Operation Temperature: -40°C to +105°C

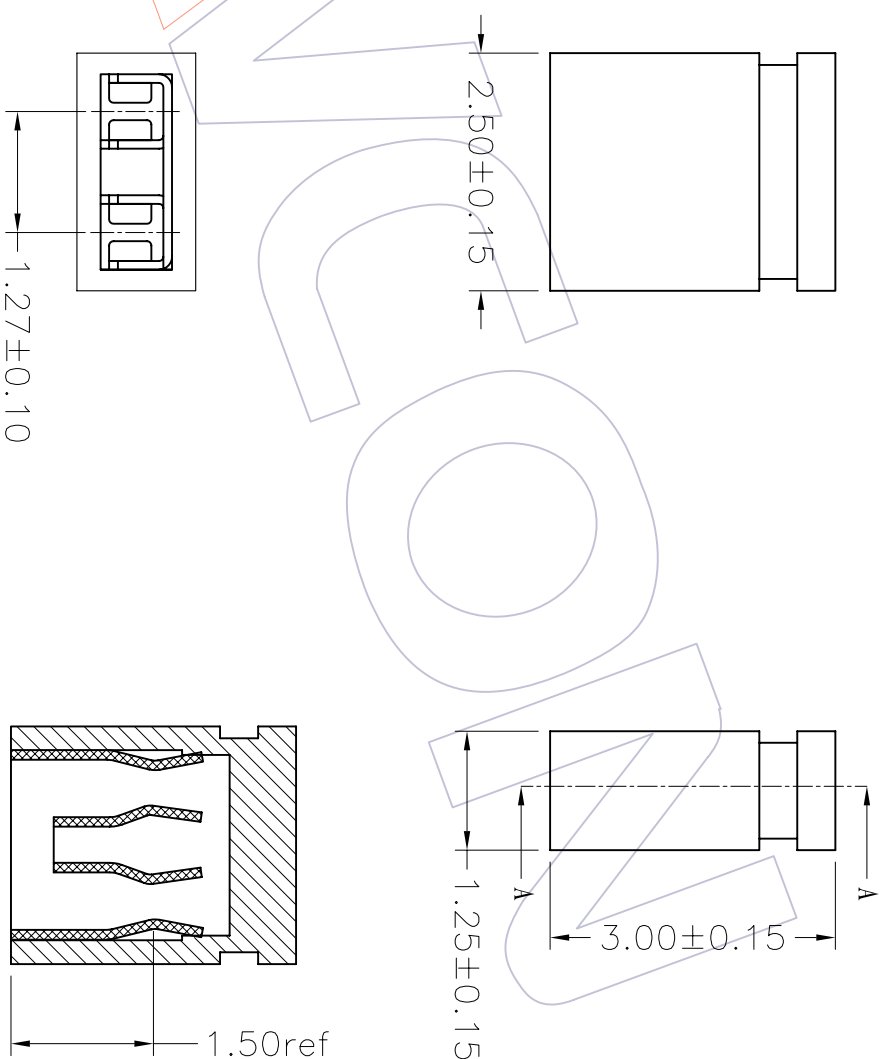
Contact Material: Phosphor bronze  
Contact plating: Au or Sn over Ni  
Insulator Material: PBT+30%G.F.(UL94V-0)

## Ordering Information

3712 - 30 01 C XX X 01

Housing shape  
O=open  
C=close

Contact Plating Colour  
G0=Gold Flash B=Black  
G1=3u"Gold R=Red  
G2=5u"Gold Y=Yellow  
G3=10u"Gold  
G4=15u"Gold  
G5=30u"Gold  
S0=Gold Flash/Ni  
S1=3u"Gold/Ni  
S2=5u"Gold/Ni  
S3=10u"Gold/Ni  
S4=15u"Gold/Ni  
S5=30u"Gold/Ni  
SN=Tin



SECTION A-A

REV	DATE	MODIFICATION DESCRIPTION	CHANGE	APPROVE	OPERATION	DRAW	WEIXD	08/10/29	SCALE	UNIT	SIZE	SHEET	PROJ.	PART NO.	TITLE:	Customer NO.
A0	08/10/29	NEW			X.X ±0.30 X.XX ±0.25 X.XXX ±0.15 Angle ± .3' DIM TOL	DESIGN CHECK			1:1 mm	A4	1/1		3712-3001CXXX01	1.27mm MINI JUMPER CLOSE TYPE		

**WCON** 维峰五金电子有限公司  
WAFE HARDWARE ELECTRONICS CO.,LTD