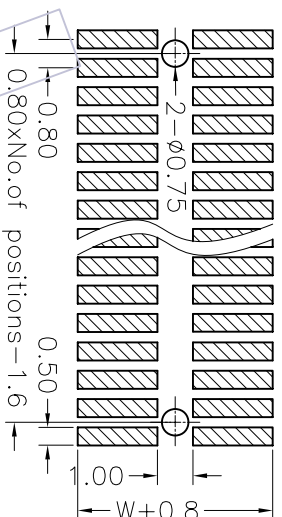
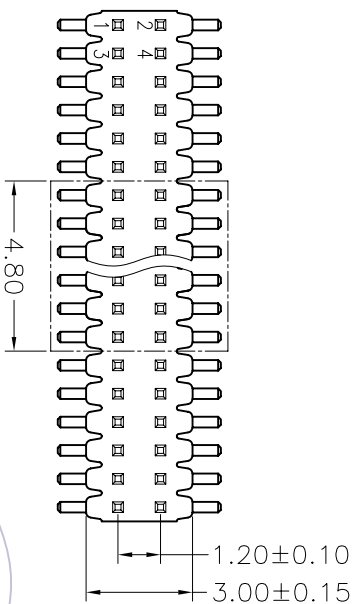


HSP

NOTES:
 Current Rating:0.75AMP
 Contact Resistance:30mΩ max
 Withstand Voltage:500V AC/DC
 Insulation Resistance:1000MΩ min
 Operation Temperature:-40℃ to +105℃

Contact Material:Phosphor Bronze or Brass
 Contact plating:Au or Sn Over Ni
 Insulator Material:LCF+30%GF(UL94V-0)



Recommended P.C.B Layout(Top Side)
 (PCB BOARD TOLERANCE±0.05)

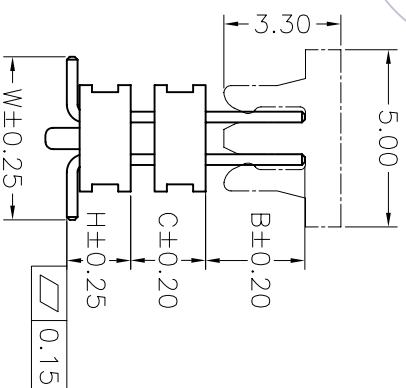
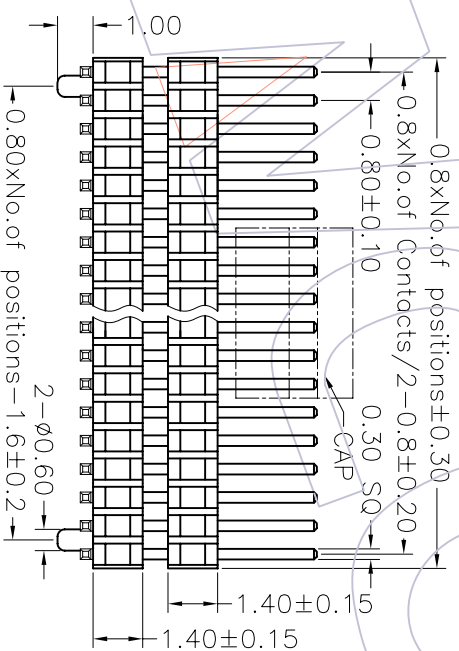
Ordering Information

1614-2 2 XX XX M XXX T X

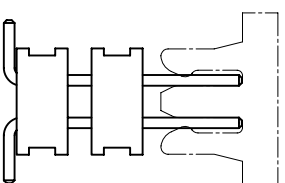
No. of Pins per Row: 01-50
 Contact Plating
 G0=Gold Flash L=B+H+C-0.3^{W±L}
 G1=3u"Gold
 G2=5u"Gold
 G3=10u"Gold
 G4=15u"Gold
 G5=30u"Gold
 S0=Gold Flash/Tin
 S1=3u"Gold/Tin
 S2=5u"Gold/Tin
 S3=10u"Gold/Tin
 S4=15u"Gold/Tin
 S5=30u"Gold/Tin
 SN=Tin

Pin length
 L=B+H+C-0.3^{W±L}

Packing Series No.
 A=Tray 1=Type 1
 T=Tube 2=Type 2
 P=Tube+CAP



TYPE 2 WITH POST



TYPE 1 W/O POST

Dimension antitheses list			
ITEM	B	W	H
Standard	2.80	4.60	1.80
Alternate			

REV	DATE	MODIFICATION DESCRIPTION	CHANGE	APPROVE	OPERATION		DRAW	WEIXD	SCALE	UNIT	SIZE	SHEET	PROJ.	PART NO.	TITLE:	PHO. 80*1.20 DUAL ROW DOUBLE PLASTIC SMT
					DM	TOL										
A0	08/04/14	NEW			X.X	±0.40	DESIGN	08/04/14	5:1	mm	A4	1/1	Customer NO.	1614-22XXXXMXXXXTX		
					X.XX	±0.25	CHECK									
					X.XXX	±0.15	CHECK									
					Angle	± 3'	APPROVE									

WCON 维峰五金电子有限公司
 WAFER HARDWARE ELECTRONICS CO. LTD