

HSP

NOTES:

Current Rating: 0.75AMP
 Contact Resistance: 30mΩ max
 Withstand Voltage: 500V AC/DC
 Insulation Resistance: 1000MΩ min
 Operation Temperature: -40°C to +105°C

Contact Material: Phosphor Bronze or Brass
 Contact plating: Au or Sn Over Ni
 Insulator Material: LCP+30%GF(UL94V-0)

Ordering Information

1614-1 2 XX XX Z XXX T1

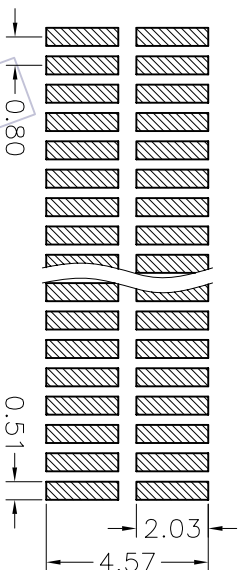
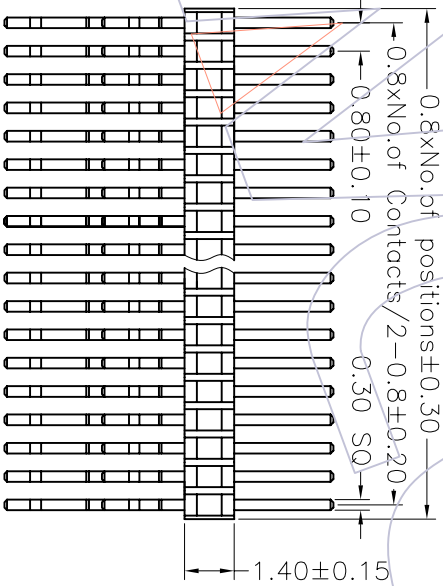
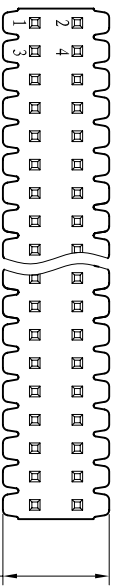
No. of Pins per Row: 01-50

Contact Plating: G0=Gold Flash
 G1=3u"Gold
 G2=5u"Gold
 G3=10u"Gold
 G4=15u"Gold
 G5=30u"Gold

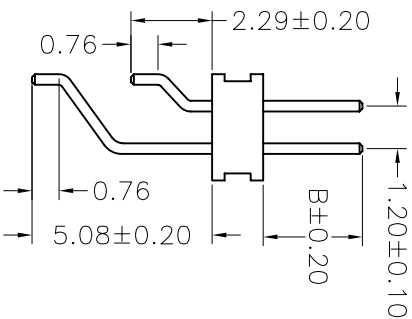
Pin length(short): L=B+1.4+2.59

Packing: A=Tray
 T=Tube

S0=Gold Flash/Tin
 S1=3u"Gold/Tin
 S2=5u"Gold/Tin
 S3=10u"Gold/Tin
 S4=15u"Gold/Tin
 S5=30u"Gold/Tin
 SN=Tin



Recommended P.C.B. Layout(Top Side)
 (PCB BOARD TOLERANCE±0.05)



Dimension antitheses list	
ITEM	B
Standard	2.80 1.90 4.45
Alternate	

REV	DATE	MODIFICATION DESCRIPTION	CHANGE	APPROVE	OPERATION	DRAW	WEIXD	SCALE	PART NO.	TITLE:
A0	08/04/10	NEW			XXX ±0.40 XXX ±0.25 XXX ±0.15 Angle ± 3'	DESIGN CHECK	08/04/10	5:1 mm A4	1614-12XXXXXXXT1	PH0.80*1.20 DUAL ROW 90° SWT H=1.4
REV	DATE	MODIFICATION DESCRIPTION	CHANGE	APPROVE	DIM	TOL	APPROVE	PROU.	Customer NO.	
1										

WCON 维峰五金电子有限公司
 WAVE HARDWARE ELECTRONICS CO. LTD