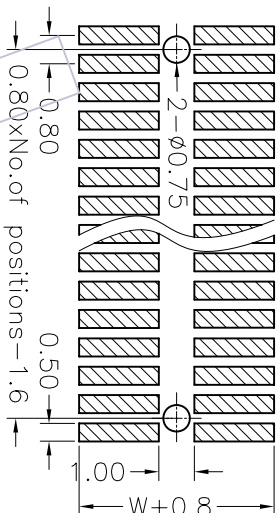
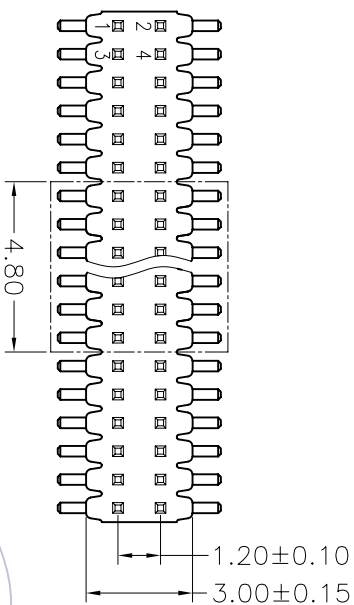


HSP

NOTES:

Current Rating: 0.75AMP
 Contact Resistance: 30mΩ max
 Withstand Voltage: 500V AC/DC
 Insulation Resistance: 1000MΩ min
 Operation Temperature: -40°C to +105°C

Contact Material: Phosphor Bronze or Brass
 Contact plating: Au or Sn Over Ni
 Insulator Material: LCP+30%GF(UL94V-0)

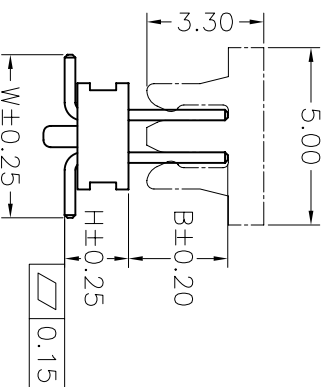
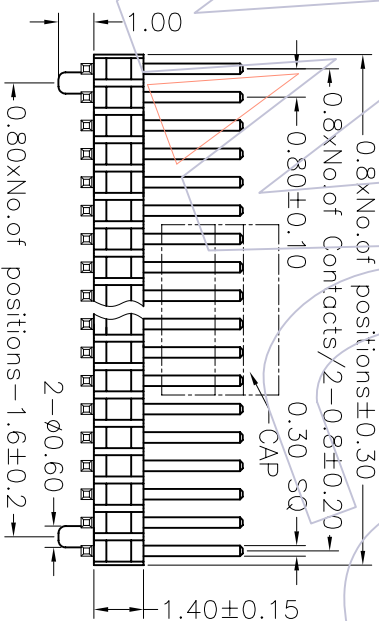


Recommended P.C.B. Layout(Top Side)
 (PCB BOARD TOLERANCE±0.05)

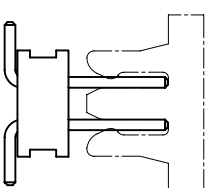
Ordering Information

1614-1 2 XX XX M XXX T X

No. of Pins per Row: 01-50
 Contact Plating: G0=Gold Flash, G1=3µ"Gold, G2=5µ"Gold, G3=10µ"Gold, G4=15µ"Gold, G5=30µ"Gold
 Pin length: L=B+H-0.3¹+w^{1/2}
 Packing: A=Tray, T=Tube, P=Tube+CAP
 Series No.: 1=Type 1, 2=Type 2
 S0=Gold Flash/Tin, S1=3µ"Gold/Tin, S2=5µ"Gold/Tin, S3=10µ"Gold/Tin, S4=15µ"Gold/Tin, S5=30µ"Gold/Tin, SN=Tin



TYPE 2 WITH POST



TYPE 1 W/O POST

Dimension antitheses list			
ITEM	B	W	H
Standard	2.80	4.60	1.80
Alternate			

REV	DATE	MODIFICATION DESCRIPTION	CHANGE	APPROVE	OPERATION	DRAW	WEIXD	SCALE	PART NO.	TITLE:
A0	08/04/10	NEW			OPERATION XXX ±0.40 XXX ±0.25 XXX ±0.15 Angle ± 3'	DESIGN CHECK	08/04/10	5:1 mm	1614-12XXXXMXXXTX	PH0.80*1.20 DUAL ROW SMT H=1.4
REV	DATE	MODIFICATION DESCRIPTION	CHANGE	APPROVE	DIM TOL	APPROVE	PROJ.	Customer NO.		
1										

WCON 维峰五金电子有限公司
 WAFER HARDWARE ELECTRONICS CO., LTD