

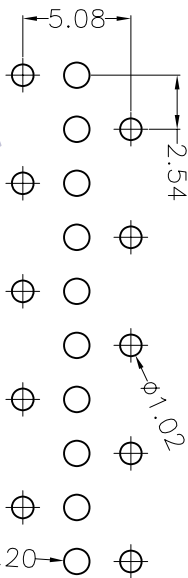
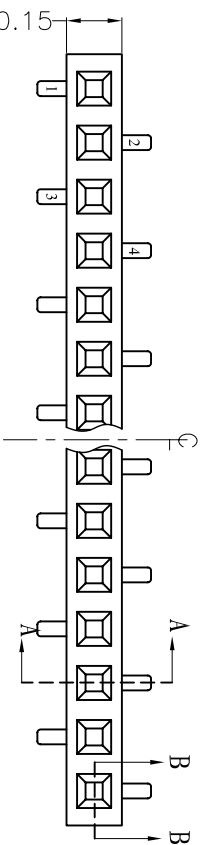
# HSP

Recommended P.C.B Layout(TOP Side)  
(PCB BOARD TOLERANCE±0.05)

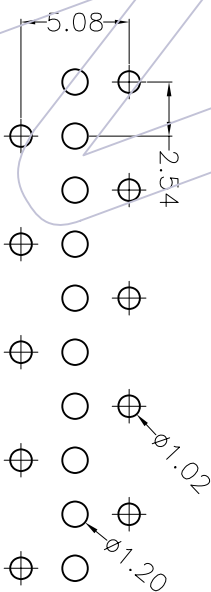
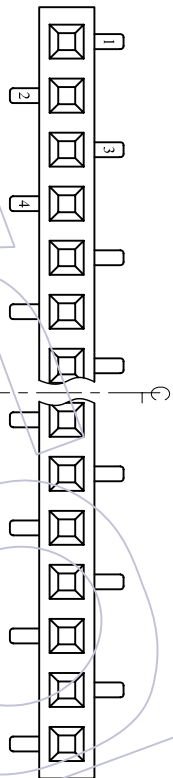
**NOTES:**

Current Rating: 3.0AMP  
Withstand Voltage: 500V AC/DC  
Contact Resistance: 20mΩ Max  
Insulation Resistance: 1000MΩMin  
Operation Temperature: -40°C to +105°C

Contact Material: Phosphor Bronze  
Contact plating: Au or Sn over Ni  
Insulator Material: PA6T or PBT+30%G. F. UL94V-0



Type 1

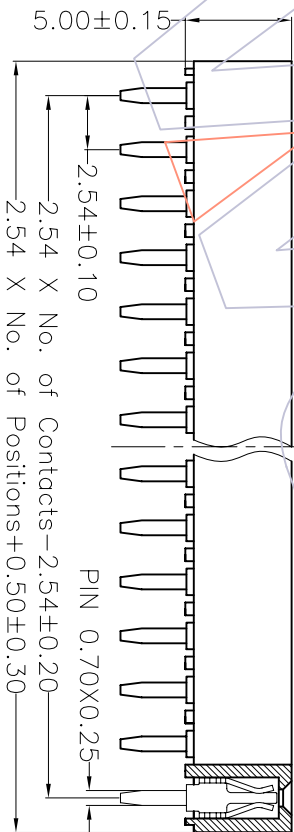


Type 2

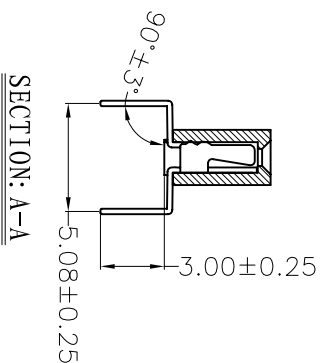
## Ordering Information

2150 - 1 XX W XX C UN T X

No. of Pins per ROW: 02~40PIN  
Contact Plating: G0=Gold Flash, G1=3μ"Gold, G2=5μ"Gold, G3=10μ"Gold, G4=15μ"Gold, G5=50μ"Gold  
S0=Gold Flash/Tin, S1=3μ"Gold/Tin, S2=5μ"Gold/Tin, S3=10μ"Gold/Tin, S4=15μ"Gold/Tin, S5=50μ"Gold/Tin, SN=Tin  
Insulator: A=PBT, C=PA6T  
Packing: T=Tube, 1=TYPE 1, 2=TYPE 2  
Series No. 1=TYPE 1, 2=TYPE 2



SECTION: B-B



SECTION: A-A

TYPE	PART NO.
TYPE 1	2150-1XXWXXCUNT1
TYPE 2	2150-1XXWXXCUNT2

REV	DATE	MODIFICATION DESCRIPTION	CHANGE	APPROVE	OPERATION	DRAW	WEIXD	SCALE	UNIT	PART NO.	TITLE:
A0	08/03/01	NEW			XXX ±0.40 XXX ±0.25 XXX ±0.15	DESIGN	08.03.11	3:1	mm		
					Angle ± 3'	CHECK		A4	1/1		
					DIM TOL	APPROVE				Customer NO.	

**WCON** 维峰五金电子有限公司  
WAVE HARDWARE ELECTRONICS CO. LTD

SEE TABLE

FH2.54 SINGLE Centipede H=5.0