

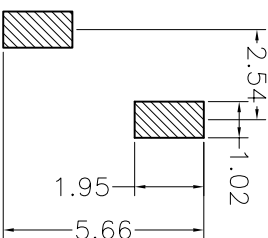
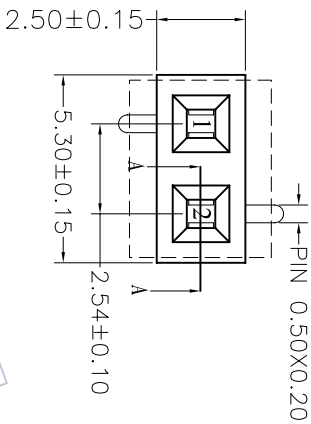
HSHF

Recommended P.C.B Layout(TOP Side)
(PCB BOARD TOLERANCE±0.05)

NOTES:

Current Rating: 3.0AMP
Withstand Voltage: 500V AC/DC
Contact Resistance: 20mΩ Max
Insulation Resistance: 1000MΩMin
Operation Temperature: -40°C to +105°C

Contact Material: Phosphor Bronze
Contact plating: Au or Sn over Ni
Insulator Material: PA6T+30%G. F UL94V-0



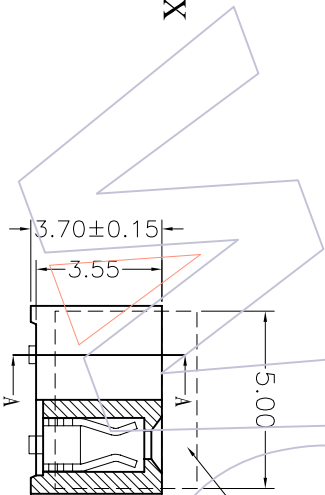
Ordering Information

2135-1 02 M XX C U N T X

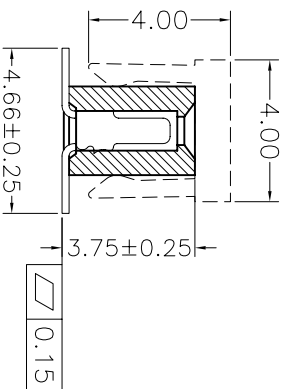
No. of Pins per Row: 02PIN

Contact Plating:
G0=Gold Flash
G1=3μ"Gold
G2=5μ"Gold
G3=10μ"Gold
G4=15μ"Gold
G5=30μ"Gold
S0=Gold Flash/Tin
S1=3μ"Gold/Tin
S2=5μ"Gold/Tin
S3=10μ"Gold/Tin
S4=15μ"Gold/Tin
S5=30μ"Gold/Tin
SN=Tin

Packing:
T=Tube
R=Reel
P=Tube/CAP



SECTION B-B



SECTION A-A

REV	DATE	MODIFICATION DESCRIPTION	CHANGE	APPROVE	OPERATION	DRAW	WEIXD	08.03.11	SCALE	5:1	<p>WCON 维峰五金电子有限公司 WAFER HARDWARE ELECTRONICS CO.,LTD</p>	PART NO.	2135-102MXXCUNTX		
A0	08/03/10	NEW			X.X	DESIGN		UNIT	mm	A4		SHEET	1/1	TITLE:	FH2.54 SINGLE SMT H=3.5
					X.XXX	CHECK		SIZE				PROJ.		Customer NO.	
					Angle	APPROVE			± 3'						
					DIM				TOL						

H

G

F

E

D

C

B

A

H

G

F

E

D

C

B

A