

HSF

NOTES:

Current Rating: 3.0AMP
 Withstand Voltage: 500V AC/DC
 Contact Resistance: 20mΩ Max
 Insulation Resistance: 1000MΩMin
 Operation Temperature: -40°C to +105°C
 Contact Material: Phosphor Bronze
 Contact plating: Au or Sn over Ni
 Insulator Material: PA6T+30%G, F UL94V-0

Ordering Information

2135 - 2 XX M XX C U N T X

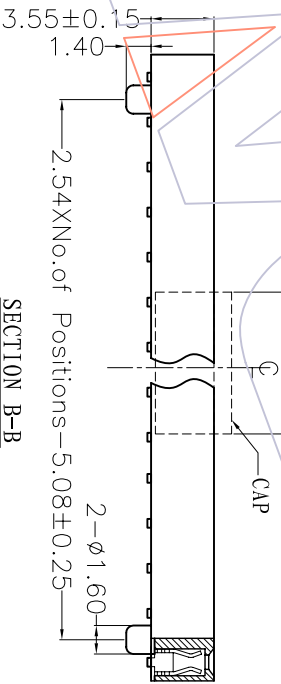
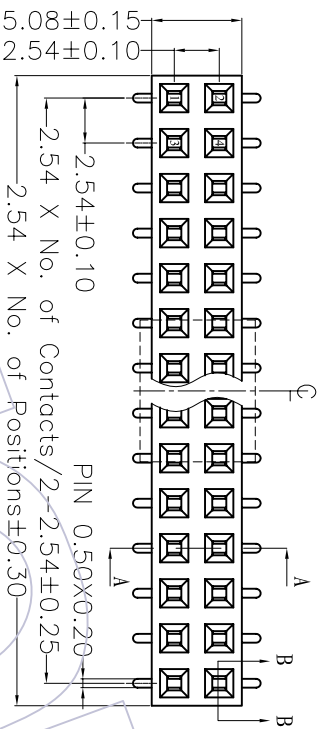
No. of Pins per ROW: 02-40PIN

Contact Plating:
 G0=Gold Finish
 G1=5μ Gold
 G2=5μ Gold
 G3=10μ Gold
 G4=15μ Gold
 G5=30μ Gold

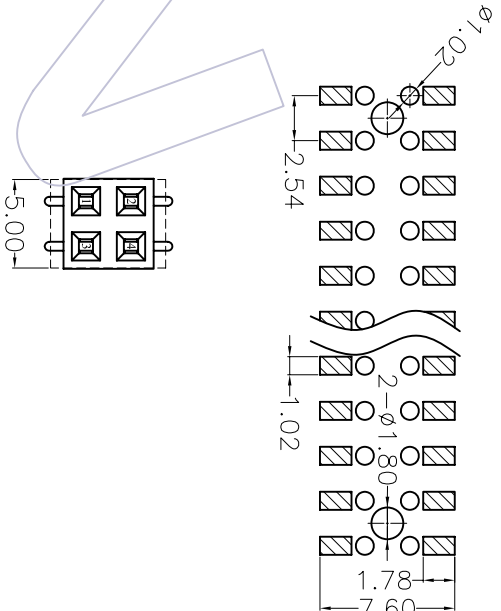
Packing:
 T=Tube
 P=Tube+CAP
 R=Tube&Red+CAP

Series No.
 1=TYPE 1
 2=TYPE 2

Plating:
 S1=Gold Finish/Tin
 S2=5μ Gold/Tin
 S3=10μ Gold/Tin
 S4=15μ Gold/Tin
 S5=30μ Gold/Tin
 SN=Tin

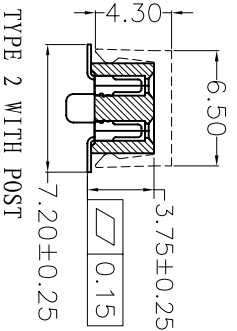


SECTION B-B



Recommended P.C.B Layout(TOP Side)
 (PCB BOARD TOLERANCE±0.05)

Special CAP for 2*2Pin



SECTION A-A

TYPE	PART NO.
TYPE 1	2135-2XXMXXCUNX1
TYPE 2	2135-2XXMXXCUNX2

REV	DATE	MODIFICATION DESCRIPTION	CHANGE APPROVE	OPERATION	DRAW	WEIXD	SCALE	UNIT	PART NO.	TITLE:
A0	08/03/01	NEW		XX ±0.40 X.XX ±0.25 X.XXX ±0.15 Angle ± 3°	DESIGN CHECK	08.03.11	3:1	mm A4		PH2.54 DUAL SMT H=3.5

WCON 维峰五金电子有限公司
 WAFER HARDWARE ELECTRONICS CO.,LTD

SEE TABLE

OPERATION	DRAW	WEIXD	SCALE	UNIT	PART NO.	TITLE:
XX ±0.40 X.XX ±0.25 X.XXX ±0.15 Angle ± 3°	DESIGN CHECK	08.03.11	3:1	mm A4		PH2.54 DUAL SMT H=3.5