

HSHF

NOTES:

Current Rating: 3.0AMP
 Withstand Voltage: 500V AC/DC
 Contact Resistance: 20mΩ Max
 Insulation Resistance: 1000MΩMin
 Operation Temperature: -40°C to +105°C

Contact Material: Phosphor Bronze
 Contact plating: Au or Sn over Ni
 Insulator Material: PA6T or PBT+30%G.F UL94V-0

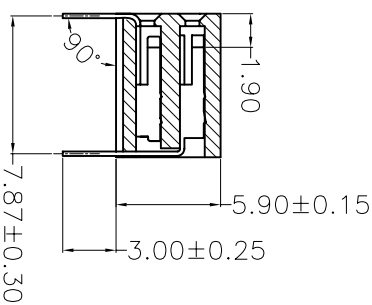
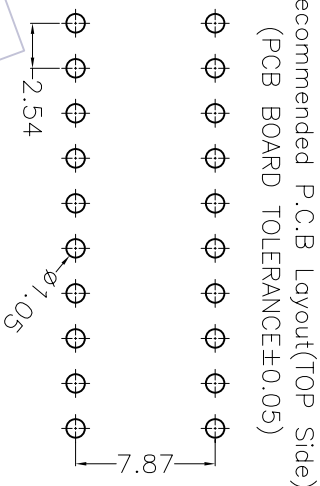
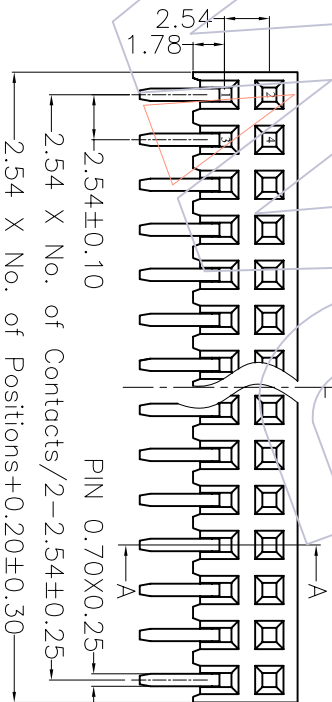
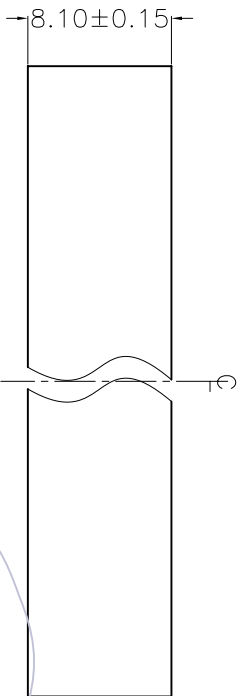
Ordering Information

2159 - 2 XX R XX X UN X 1

No. of Pins per ROW: 02-40PIN
 Contact Plating: GC=Gold Flash
 GI=3μ Gold
 G2=5μ Gold
 G3=10μ Gold
 G4=5μ Gold
 G5=30μ Gold
 S0=Gold Flash Tin
 S1=5μ Gold Tin
 S2=3μ Gold Tin
 S3=10μ Gold Tin
 S4=5μ Gold Tin
 S5=30μ Gold Tin
 SN=Tin

Insulator: A=PBT
 C=PA6T
 T=Tube
 R=Tap&Red

Packing: T=Tube
 R=Tap&Red



SECTION: A-A

REV	DATE	MODIFICATION DESCRIPTION	CHANGE	APPROVE	OPERATION	DRAW	WEIXD	08.03.11	SCALE	4:1	UNIT	mm	PART NO.	2159-2XXRXXXUNX1	TITLE:	FH2.54 DUAL 90° H=5.9	Customer NO.
A0	08/03/11	NEW			XXX ±0.40 XXX ±0.25 XXX ±0.15	DESIGN CHECK			A4 1/1								
REV	DATE	MODIFICATION DESCRIPTION	CHANGE	APPROVE	Angle DIM	CHECK			SHEET	PROJ.							

WCON 维峰五金电子有限公司
 WAFER HARDWARE ELECTRONICS CO.,LTD